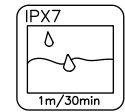
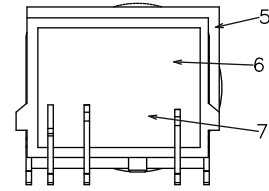
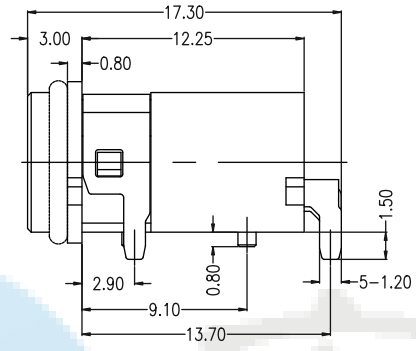
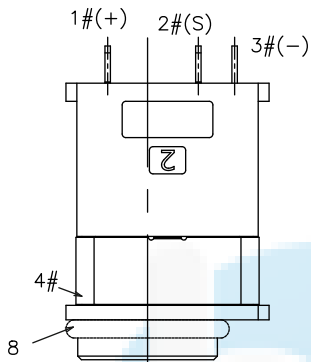
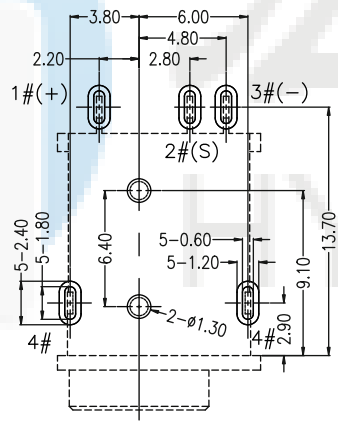
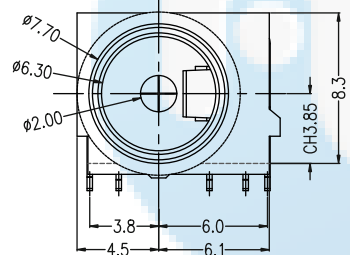


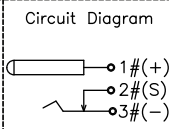
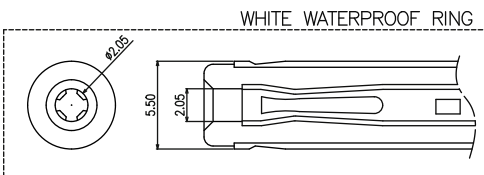
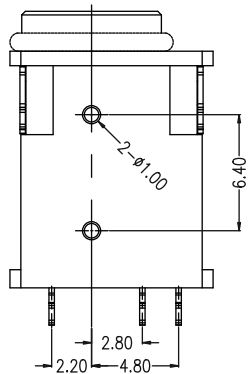
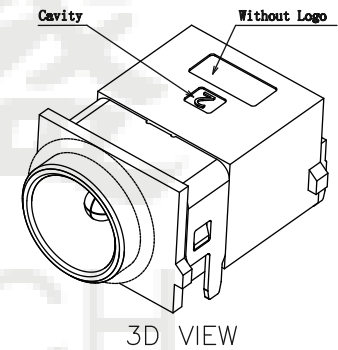
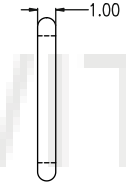
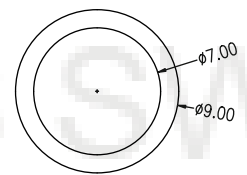
**ROHS**  
Compatible



- NOTES
- 1.Current Rating: 24V & 1.5A Max.
  - 2.Contact Resistance: 50m Ohms Max.(initial)
  - 3.Insulation Resistance: 100M Ohms Min./500V DC
  - 4.Dielectric Withstanding Voltage: 500V AC/1Minute
  - 5.Mating Force: 35N Max, Withdrawal Force: 3N Min.
  - 6.Durability: 5,000 Cycles
  - 7.Operating Temperature: -25°C to +85°C
  - 8.WATER PROOFNESS:THIS PRODUCT IS BASED ON IPX7.



PCB LAYOUT (TOP VIEW)  
TOLERANCE:  $\pm 0.05$



Not to install the waterproof ring shipment

NO.	DESCRIPTION	MATERIAL	REMARKS	QTY
	WATERPROOF RING	SILICONE	WHITE	1
	GLUE	EPOXY	COLOR BLACK	1
	BACK COVER	HIGH TEMPERATURE	COLOR BLACK	1
	HOUSING	HIGH TEMPERATURE	COLOR BLACK	1
4	TERMINAL 4#	STAINLESS STEEL	NICKEL PLATING OVERALL	1
3	TERMINAL 3#	COPPER ALLOY	NICKEL UNDERPLATING OVERALL, Au PLATING ON THE SOLDER AREA	1
2	TERMINAL 2#	COPPER ALLOY	NICKEL UNDERPLATING OVERALL, Au PLATING ON THE WHOLE	1
1	CENTER PIN	COPPER ALLOY	NICKEL UNDERPLATING OVERALL, Au PLATING ON THE SOLDER AREA	1

DESIGN	Li Jinwei	SCALL		 TOLERANCE X.X $\pm 0.30$ X. $^{\circ} \pm 2^{\circ}$ .XX $\pm 0.20$ .X $^{\circ} \pm 1^{\circ}$ .XXX $\pm 0.10$ .XX $^{\circ} \pm 0.5^{\circ}$
DRAWING	Wu Qifa	UNIT	mm	
CHECK	Zheng Jinxian	SIZE	A4: 210 * 297	
APPROVAL	Liu Xiaohong	DATE	2020-06-10	

DRAWG NO.	DC-002F-2.0
TITLE:	防水DC插座 IPX7

**东莞市宏煜盛实业有限公司**  
Dongguan hongyusheng Industry Co., Ltd  
TEL: 0769-81230179 <https://www.hystypec.com>

**ROHS**  
Compatible

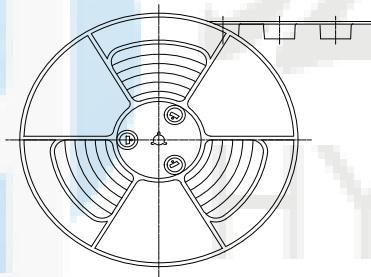
备注:

1. 每载盘内必须放干燥剂;
2. 每箱必须按照要求增加PE防水袋包装;
3. 参考《高温材料管理规定》进行作业;
4. 条码+二维码标签和交货标签按客户要求制作;

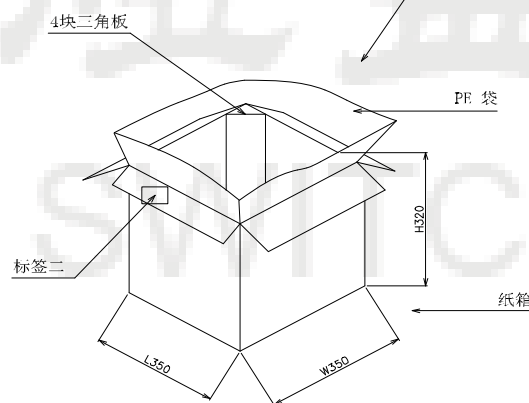
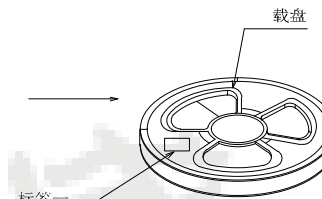
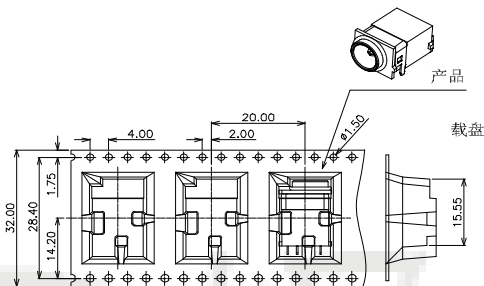


1载带=250PCS  
1外箱=250PCSX10盘载带=2500PCS

\* 载带包装时依此方向引出



卷盘包装示意



包材名称	材料及厚度 (mm)	规格 (mm)
载带	P. S(白色透明) T=0.30	8800X24.00X7.9
载盘	HI P. S(蓝色)	∅330X28.40
自粘带	PET(白色透明)	W=21.30 T=0.06
纸箱	K=K	350X350X320
PE袋	PE	10X1PE袋 (1个PE袋700个防水圈)

UNLESS OTHERWISE SPECIFIED TOLERANCES			
DECIMALS:		ANGLES:	
DIM	TOL	DIM	TOL
X.	±0.20	X.	±1°
X.X	±0.10	X.X	±0.5°
X.XX	±0.05	X.XX	——
X.XXX	±0.02	X.XXX	——

DESIGN	Li Jinwei	SCALL		 TOLERANCE X.X ±0.30 X.°±2° .XX ±0.20 .X° ±1° .XXX ±0.10 .XX°±0.5°
DRAWING	Wu Qifa	UNIT	mm	
CHECK	Zheng Jinxian	SIZE	A4: 210 * 297	
APPROVAL	Liu Xiaohong	DATE	2020-06-10	

DRAWG NO.	DC-002F-2.0
TITLE:	防水DC插座 IPX7

**东莞市宏煜盛实业有限公司**  
 Dongguan hongyusheng Industry Co., Ltd  
 TEL: 0769-81230179 <https://www.hystypec.com>