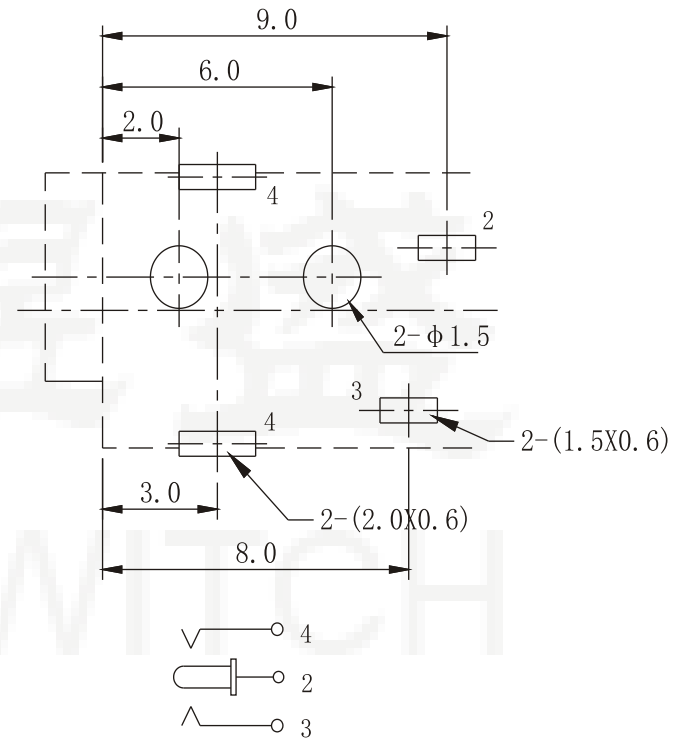
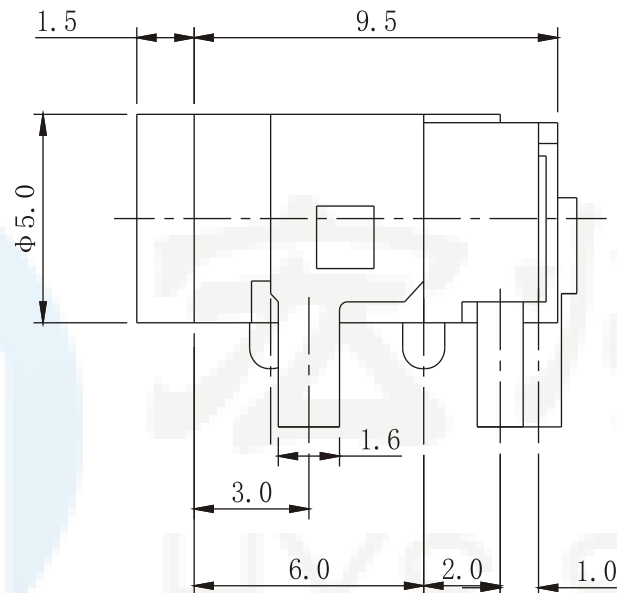
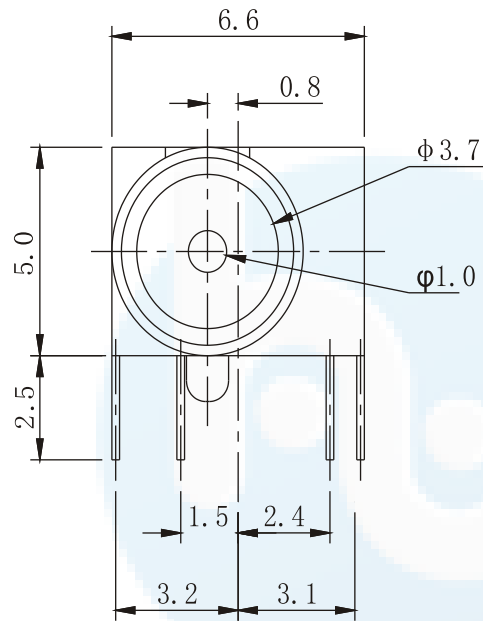


ROHS
Compatible

P. C. B LAYOUT TOP VIEW



7	TERMINAL-3	BRASS-0.4T	2	Tin Plating
6	TERMINAL-2	BRASS-0.4T	2	Tin Plating
5	TERMINAL-1	BRASS-0.5T	2	Tin Plating
4	SOCKET	BRASS-0.4T	4	Tin/Gold Plating
3	UP&DOWN COVER	ABS	2	BLACK
2	WASHER	ABS	4	
1	HOUSING	ABS	1	BLACK
NO	PART	MATERIAL	QTY	REMARKS

DESIGN	Li Jinwei	SC ALL	
DRAWING	Wu Qifa	UNIT	mm
CHECK	Zheng Jinxian	SIZE	A4: 210 * 297
APPROVAL	Liu Xiaohong	DATE	2020-06-10

TOLERANCE	
.XX ±0.30	.X°±2°
.XX ±0.20	.X°±1°
.XXX ±0.10	.XX°±0.5°

DRAWG NO.	DC-031
TITLE:	DC插座



东莞市宏煜盛实业有限公司
Dongguan hongyusheng Industry Co., Ltd
TEL: 0769-81230179 <https://www.hystypec.com>