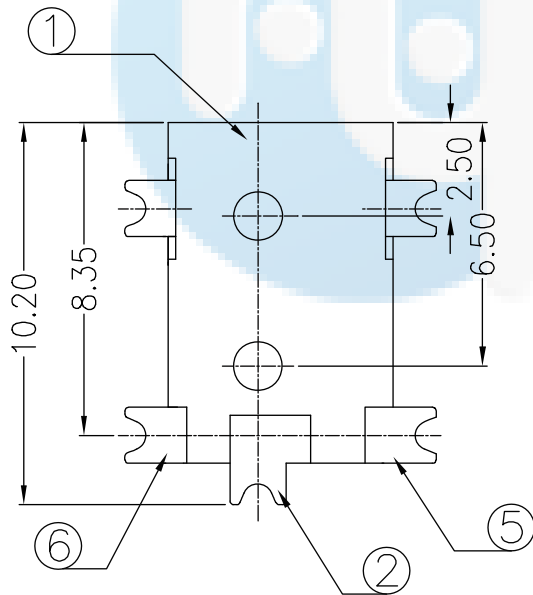
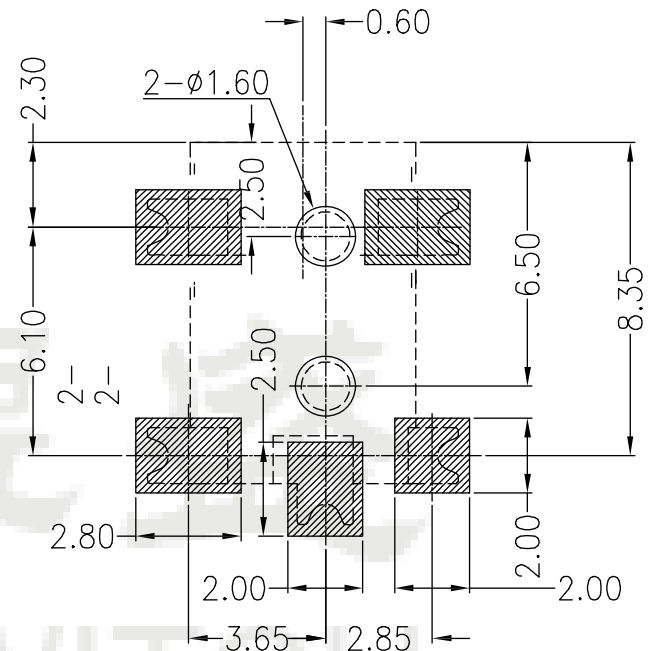
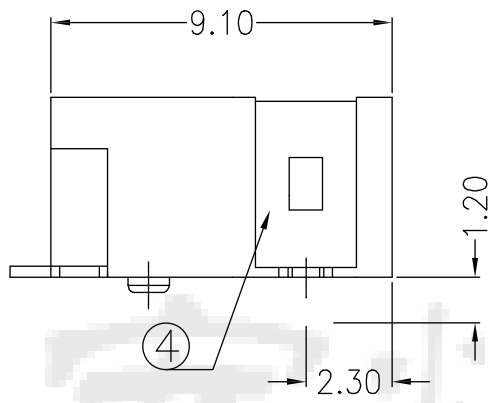
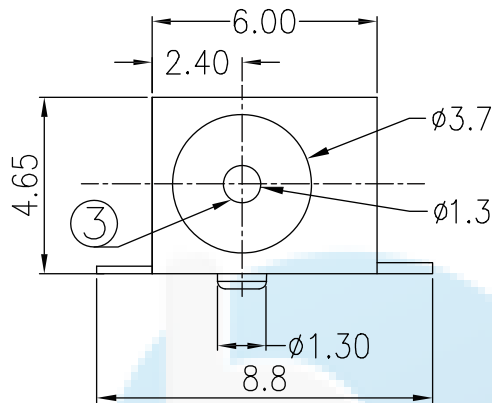
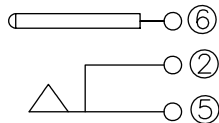


**ROHS**  
Compatible



电路原理图



Recommended PCB Layout  
Tolerance:  $\pm 0.1$  (Top view)

ITEM	DESCRIPTION	MATERIAL	FINISH	Q'TY
⑥	平片	C2680-0.25	Ag	1PCS
⑤	弹片	C5919-0.3	Ag	1PCS
④	屏蔽片	C2680-0.20	Ag	1PCS
③	中芯针	C2680	CuSn	1PCS
②	静片	C2680-0.25	Ag	1PCS
①	基座	PPA	BLACK	1PCS

DESIGN	Li Jinwei	SCALL	
DRAWING	Wu Qifa	UNIT	mm
CHECK	Zheng Jinxian	SIZE	A4: 210 * 297
APPROVAL	Liu Xiaohong	DATE	2020-06-10

$\phi$	
TOLERANCE	
.XX $\pm 0.30$	.X° $\pm 2^\circ$
.XX $\pm 0.20$	.X° $\pm 1^\circ$
.XXX $\pm 0.10$	.XX° $\pm 0.5^\circ$

DRAWG NO.	DC-092
TITLE:	DC插座


**东莞市宏煜盛实业有限公司**  
 Dongguan hongyusheng Industry Co., Ltd  
 TEL: 0769-81230179 <https://www.hystypec.com>