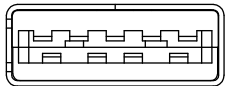
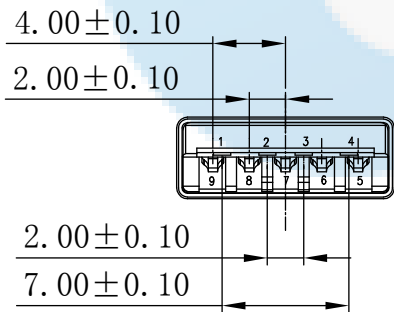
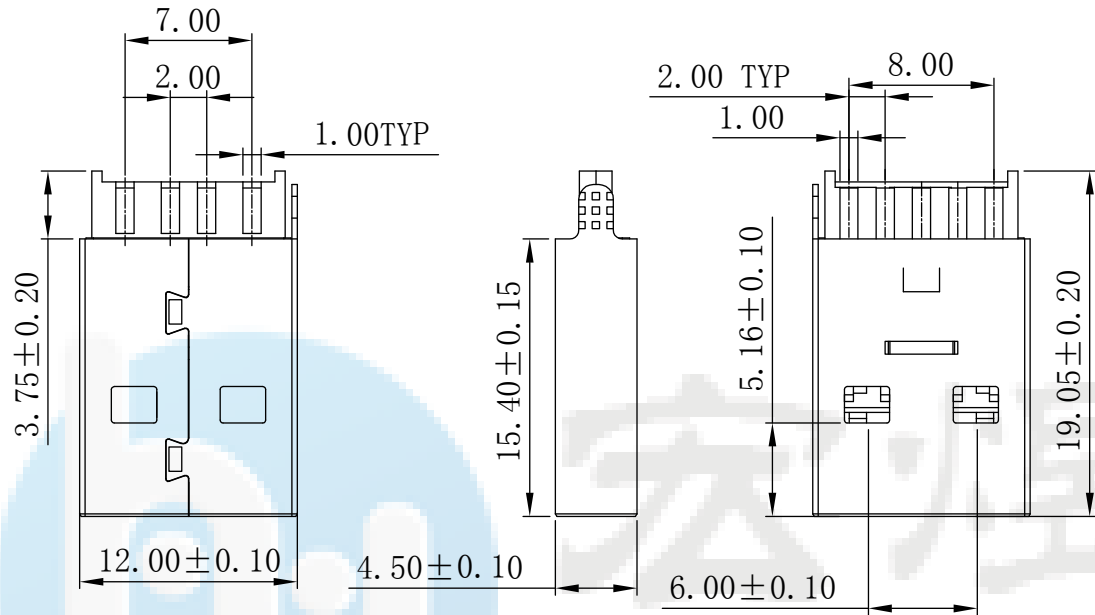


**ROHS**  
Compatible



PinNUMBER	SIGNAL NAME
1	VBUS
2	D-
3	D+
4	GND
5	StdA_SSRX-
6	StdA_SSRX+
7	GND_DRAIN
8	StdA_SSTX-
9	StdA_SSTX+
Shell	Shield

**SPECIFICATIONS:**

Contact current Rating:  
1.8 Amperes for pin1&pin4.  
0.25 Amperes other contacts  
Dielectric Withstanding Voltage:AC 100V(RMS)  
Insulation resistance:100Megohms Minimum.

Contact Resistance:  
30mΩ Max for pin1&pin4  
50mΩMax for other contacts

Mechanical Characteristics:  
Mating Force:35 Newtons.Maximum  
Unmating Force:10 Newtons.Minimum.

MATERIAL: 8N Min After Durability  
Housing: PBT+30%GF 94V-0 COLOR:BLUE  
Contact: copper alloy( T=0.25mm)  
Shell: SPCC

PLATING:  
Contact: Au Plated on contact area  
Tin Plated on solder area  
Nickel underplating over all  
Shell: Nickel Plated  
operating Temperature:-55'to+85'

DESIGN	Li Jinwei	SCALL	
DRAWING	Wu Qifa	UNIT	mm
CHECK	Zheng Jinxian	SIZE	A4: 210 * 297
APPROVAL	Liu Xiaohong	DATE	2020-06-10

TOLERANCE	
X.X ±0.30	X.°±2°
.XX ±0.20	.X° ±1°
.XXX ±0.10	.XX°±0.5°

DRAWG NO.	USB-30AM-OS19
TITLE:	USB3.0AM焊线式短体



**东莞市宏煜盛实业有限公司**  
Dongguan hongyusheng Industry Co., Ltd  
TEL: 0769-81230179 <https://www.hystypec.com>