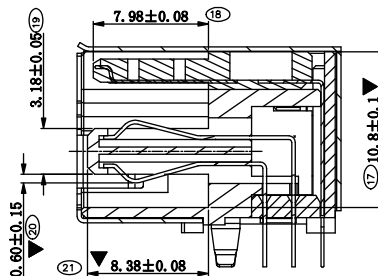
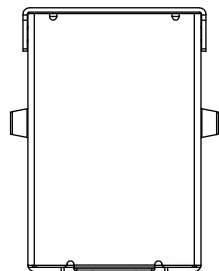
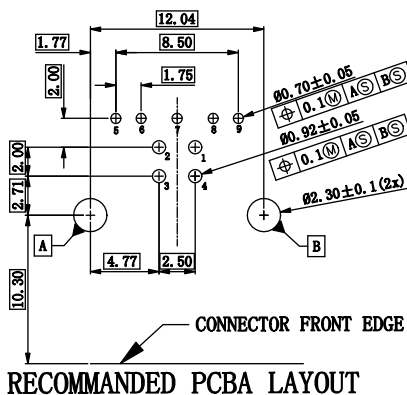
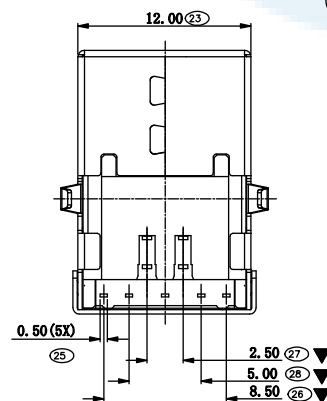
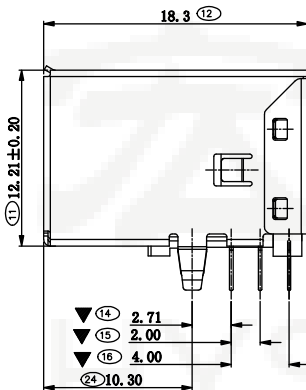
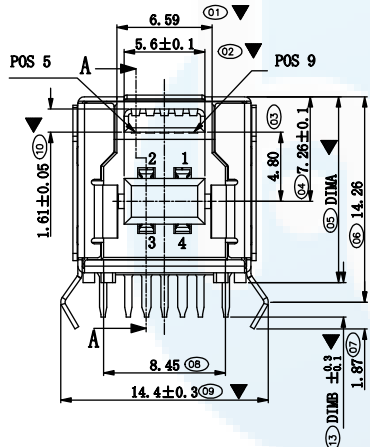


ROHS
Compatible



SECTION A-A



Pin NUMBER	SIGNAL NAME
1	VBUS
2	D-
3	D+
4	GND
5	StdB_SSTX-
6	StdB_SSTX+
7	GND_DRAIN
8	StdB_SSRX-
9	StdB_SSRX+
Shell	Shield

NOTE:

1. MATERIAL:

- 1.1 INSULATOR:LCP UL 94V-0
- 1.2 CONTACT:COPPER (5PIN:T=0.20/4PIN:T=0.25)
- 1.3 SHELL:BRASS(T=0.30/T=0.20)

2. ELECTRICAL CHARACTERISTICS:

- 2.1 CONTACT RESISTANCE:30mΩ MAXIMUM
- 2.2 CONTACT CURRENT RATING:1.5A
- 2.3 DIELECTRIC WITHSTANDING VOLTAGE:100VR.M.S.
- 2.4 INSULATION RESISTANCE 100 MEGOHMS MIN
- 2.5 OPERATING TEMPERATURE:-40° C ~ 85° C

3. MECHANICAL CHARACTERISTICS:

- 3.1 MATING FORCE:3.57kg MAX
- 3.2 UNMATED FORCE:1.02kg MIN INITIAL/0.82kg MIN AFTER TEST.
- 3.3 DURABILITY:1,500 CYCLES MIN

4. PLATING

- TERMINAL:50u" MIN NICKEL ALL OVER 80u"MIN Tin ON SOLDER AREA (1~30)u"Au ON CONTACT AREA
- 4.2 SHELL:NICEL PLATED

- 5. "▼" FOR MAJOR DIM.
- 6. "⊗" FOR FAI DIM.

DESIGN	Li Jinwei	SCALL	
DRAWING	Wu Qifa	UNIT	mm
CHECK	Zheng Jinxian	SIZE	A4: 210 * 297
APPROVAL	Liu Xiaohong	DATE	2020-06-10

TOLERANCE	
X.X ±0.30	X.°±2°
.XX ±0.20	.X°±1°
.XXX ±0.10	.XX°±0.5°

DRAWG NO.	USB-30BF-DK20
TITLE:	USB3.0 BF 90° DIP 弯脚

东莞市宏煜盛实业有限公司
Dongguan hongyusheng Industry Co., Ltd
TEL: 0769-81230179 <https://www.hystypec.com>