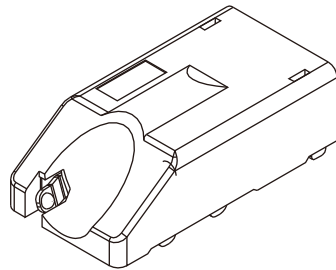
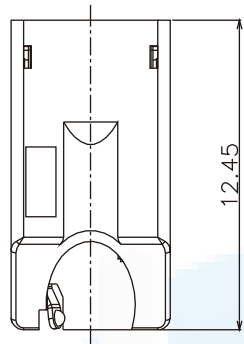
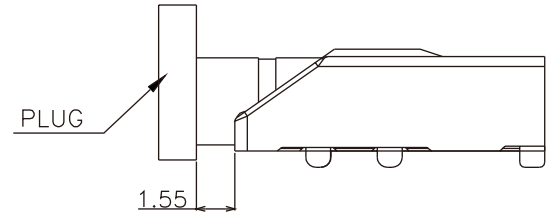


**ROHS**  
Compatible

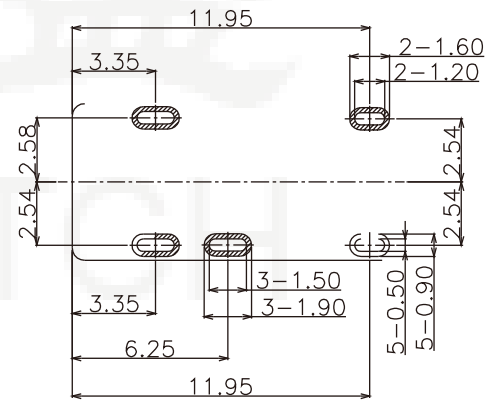
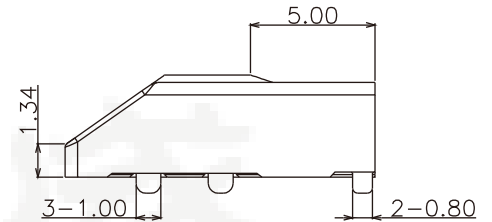


3D VIEW

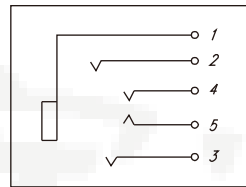
- CONTACT CURRENT RATING: 1A.
- CONTACT RESISTANCE: 50 mΩ MAX.;
- INSULATION RESISTANCE: 100MΩ MIN.;
- DIELECTRIC WITHSTANDING: 500V AC MIN.;
- DURABILITY: 5,000 CYCLES MIN.;
- CONNECTOR MATING FORCES: 30N MAX.;
- CONNECTOR UNMATING FORCES: 3N MIN.;



PLUG MATE DRAWING

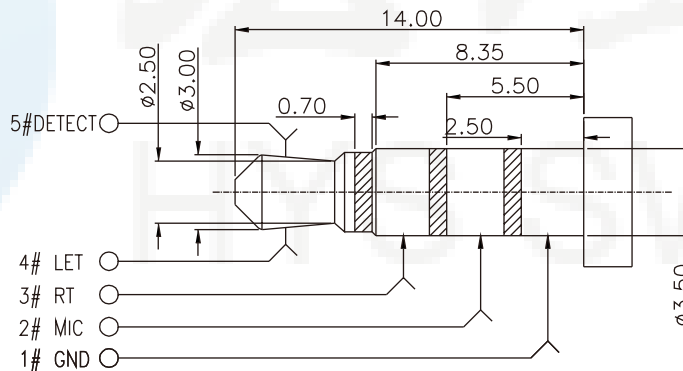
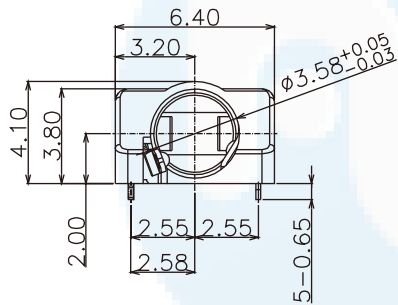


P.C.B. LAYOUT  
TOP VIEW

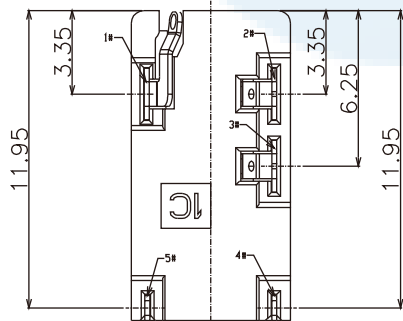


5	DETECT
4	LET
3	RT
2	MIC
1	GND

SCHEMATIC



( $\phi 3.50$ mm 4 POLE PLUG DETAIL DRAWING)



6	TERMINAL 5#	1	STAINLESS STEEL; NICKEL UNDER PLATING OVERALL, GOLD PLATING ON SOLDER AREA; GOLD PLATING ON CONTACT AREA	
5	TERMINAL 4#	1	PHOSPHOR BRONZE; NICKEL UNDER PLATING OVERALL, GOLD PLATING ON SOLDER AREA; GOLD PLATING ON CONTACT AREA	
4	TERMINAL 3#	1	PHOSPHOR BRONZE; NICKEL UNDER PLATING OVERALL, GOLD PLATING ON SOLDER AREA; GOLD PLATING ON CONTACT AREA	
3	TERMINAL 2#	1	PHOSPHOR BRONZE; NICKEL UNDER PLATING OVERALL, GOLD PLATING ON SOLDER AREA; GOLD PLATING ON CONTACT AREA	
2	TERMINAL 1#	1		
1	HOUSING	1	HIGHT TEMPERATURE PLASTIC; COLOR BLACK	
ITEM	NMT	O'TY	DESCRIPTION	NOTE

DESIGN	Li Jinwei	SCALL	
DRAWING	Wu Qifa	UNIT	mm
CHECK	Zheng Jinxian	SIZE	A4: 210 * 297
APPROVAL	Liu Xiaohong	DATE	2020-06-10

TOLERANCE	
X.X ±0.30	X.°±2°
.XX ±0.20	.X°±1°
.XXX ±0.10	.XX°±0.5°

DRAWG NO.	PJ-403
TITLE:	Φ3.5mm耳机插座 板上型斜口全插

 **东莞市宏煜盛实业有限公司**  
Dongguan hongyusheng Industry Co., Ltd  
TEL: 0769-81230179 <https://www.hystypec.com>