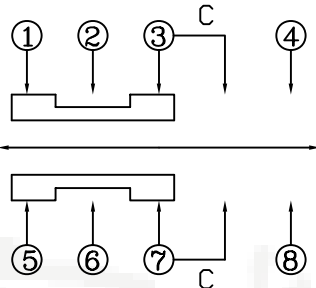
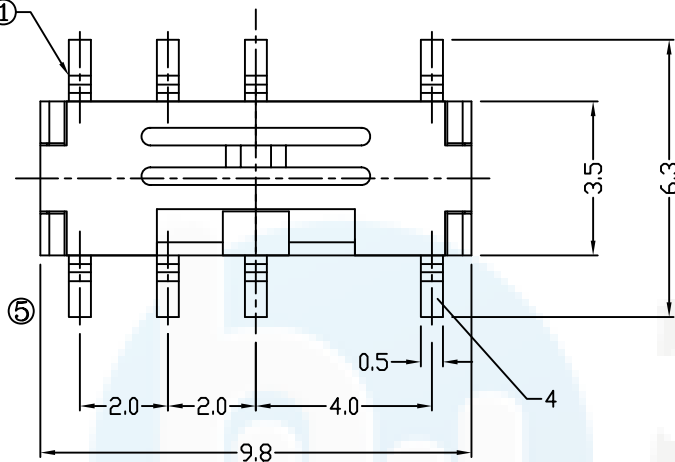
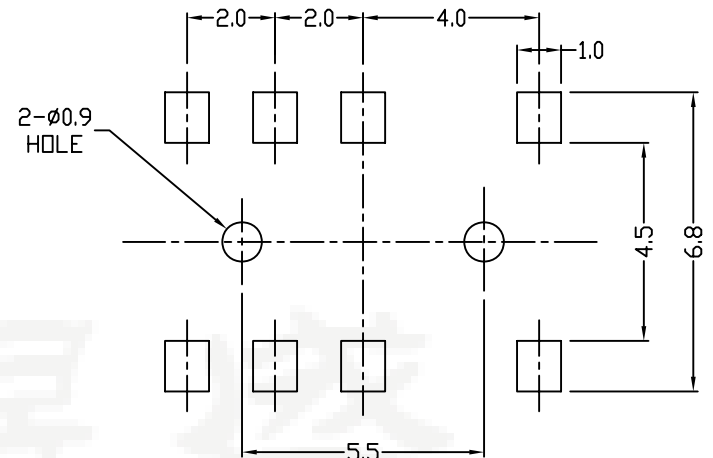


ROHS
Compatible

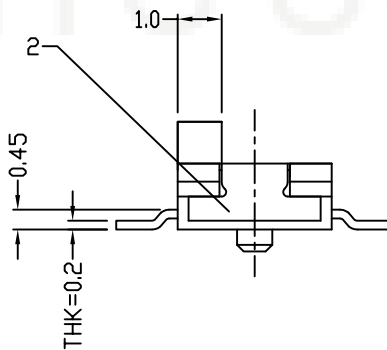
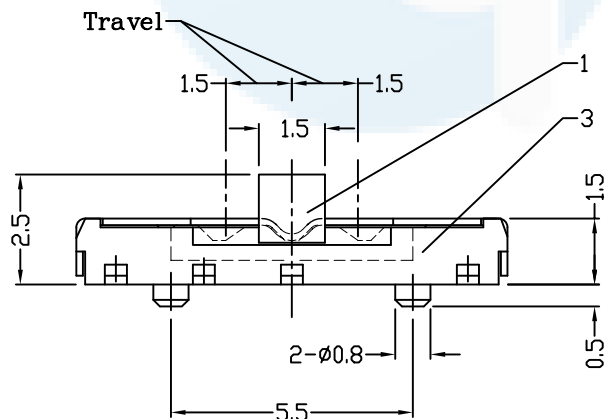
Terminal
NO. ①



CIRCUIT DIAGRAM



P.C. BOARD LAYOUT



5	CONTACT CLIP	COPPER ALLOY	2	Ag CLAD
4	TERMINAL	BRASS STRIP	8	Ag PLATED
3	HOUSING	NYLON PA46	1	BLACK
2	METAL COVER	STAINLESS STEEL	1	NATURAL
1	KNOB	NYLON PA46	1	BLACK
NO.	PART NAME	MATERIAL	QTY.	FINISHING

DESIGN	Li Jinwei	SCALL	
DRAWING	Wu Qifa	UNIT	mm
CHECK	Zheng Jinxian	SIZE	A4: 210 * 297
APPROVAL	Liu Xiaohong	DATE	2020-06-10

TOLERANCE	
X.X ±0.30	X.°±2°
.XX ±0.20	.X°±1°
.XXX ±0.10	.XX°±0.5°

DRAWG NO.	HYS-235
TITLE:	拨动开关 立式八脚贴片

 **东莞市宏煜盛实业有限公司**
Dongguan hongyusheng Industry Co., Ltd
TEL: 0769-81230179 <https://www.hystypec.com>