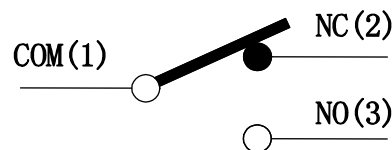
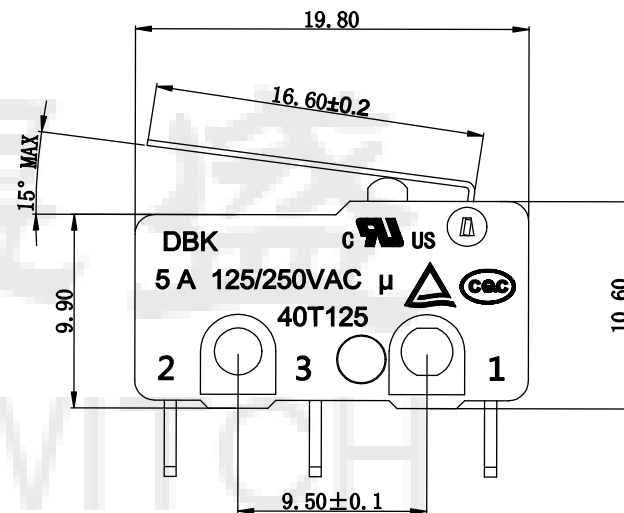
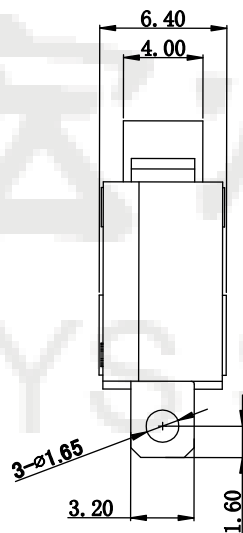
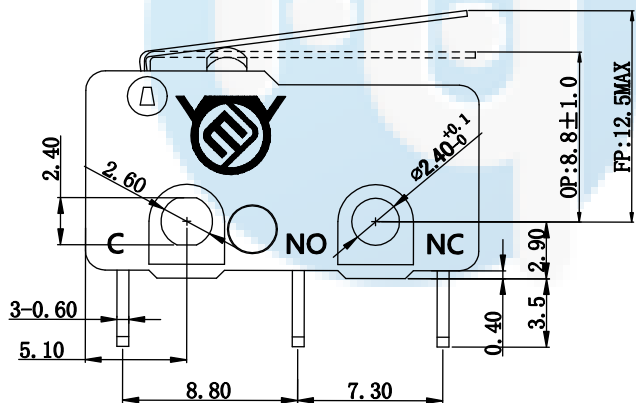
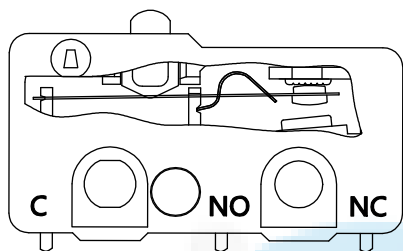


ROHS
Compatible

Rating	5 A 125/250VAC	Mechanical Life	1,000,000 cycles
Contact Resistance	100m Ω	Electrical Life	10,000 cycles
Insulation Resistance	>100M Ω DC500V	Ambient Temper. Used	-40°C to +125°C
Withstand Voltage	AC1500V 1min.	Ambient Humidity Used	≤85% at +40°C
Soldering Temper.	235±5°C 5s	Operating Force	70gf MAX



电路图

11	压柄 (Lever)	1	SUS	
10	铆钉 (Rivet)	1	AL	
9	触点 (CONTACT)	3	Silver Alloy	
8	C弹片 (SPRING)	1	C17200	
7	弹片 (SPRING)	1	C5210	
6	NO端子 (NO TERMINAL)	1	C2680	
5	NC端子 (NC TERMINAL)	1	C2680	
4	COM端子 (COM TERMINAL)	1	C2680	
3	按钮 (BUTTON)	1	PBT	UL94V-0
2	下盖 (BASE)	1	PBT	UL94V-0
1	上盖 (COVER)	1	PBT	UL94V-0
序号 NQ	零件名称 Part Name	数量 Quantity	材质 Material	备注 Notes

DESIGN	Li Jinwei	SCALL		 TOLERANCE X.X ±0.30 X.°±2° .XX ±0.20 .X°±1° .XXX ±0.10 .XX°±0.5°
DRAWING	Wu Qifa	UNIT	mm	
CHECK	Zheng Jinxian	SIZE	A4: 210 * 297	
APPROVAL	Liu Xiaohong	DATE	2020-06-10	

DRAWG NO.	MS-1910C
TITLE:	DB系列微动开关

东莞市宏煜盛实业有限公司
 Dongguan hongyusheng Industry Co., Ltd
 TEL: 0769-81230179 <https://www.hystypec.com>