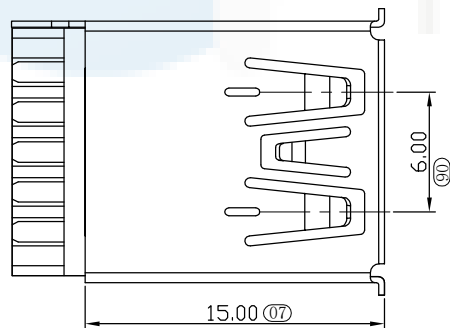
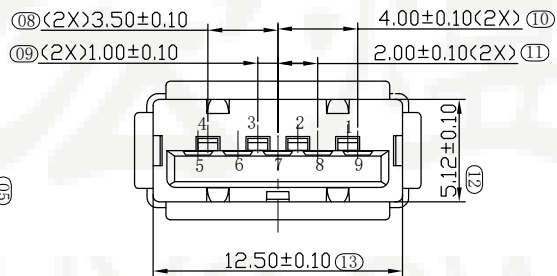
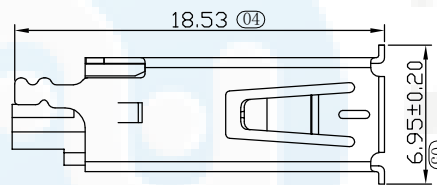
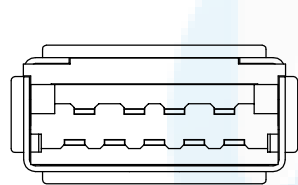
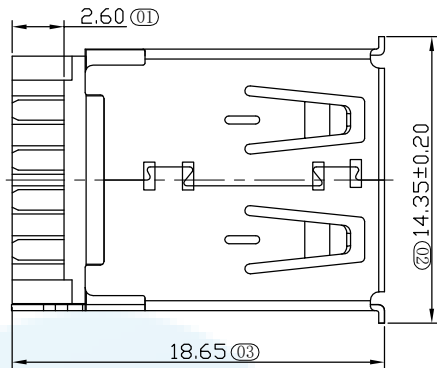


**ROHS**  
Compatible



**SPECIFICATIONS:**

Contact current Rating:

1.8 Amperes for pin1&pin4.

0.25 Amperes other contacts

Dielectric Withstanding Voltage:AC 100V (RMS)

Insulation resistance:100Megohms Minimum.

Contact Resistance:

30mΩ Max for pin1&pin4

50mΩ Max for other contacts

Mechanical Characteristics:

Mating Force:35 Newtons. Maximum

Unmating Force:10 Newtons. Minimum.

8N Min After Durability

**MATERIAL:**

Housing: PBT+30%GF 94V-0

Contact: copper alloy (T=0.25mm)

Shell: Brass/SPCC

**PLATING:**

Contact: Au Plated on contact area

Tin Plated on solder area

Nickel underplating over all

Shell: Nickel Plated

operating Temperature:-55° to+85°

"\*\*" SHOWS FAI MEASUREMENT POINT.

"△" SHOWS Modify MEASUREMENT POINT.

DESIGN	Li Jinwei	SCALL		<p><b>TOLERANCE</b>          X.X ±0.30 X.°±2°          .XX ±0.20 .X° ±1°          .XXX ±0.10 .XX°±0.5°</p>	DRAWG NO.	USB-30AF-OS12Q
DRAWING	Wu Qifa	UNIT	mm		TITLE:	USB 3.0 AF 180度 焊线式无缺口 (卷边)
CHECK	Zheng Jinxian	SIZE	A4: 210 * 297			
APPROVAL	Liu Xiaohong	DATE	2020-06-10			



**东莞市宏煜盛实业有限公司**  
**Dongguan hongyusheng Industry Co., Ltd**  
 TEL: 0769-81230179 <https://www.hystypec.com>