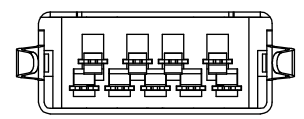
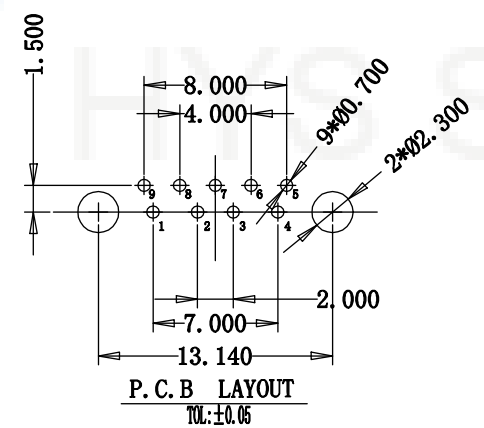
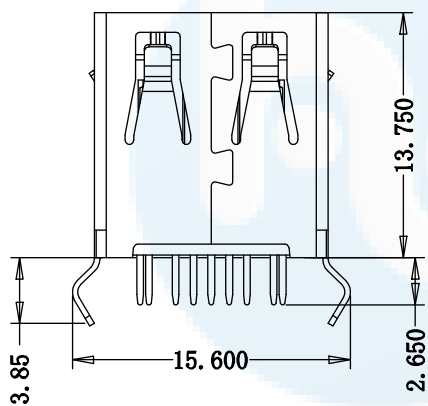
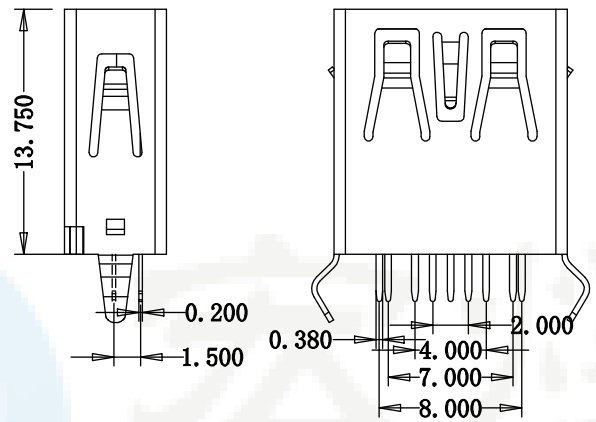
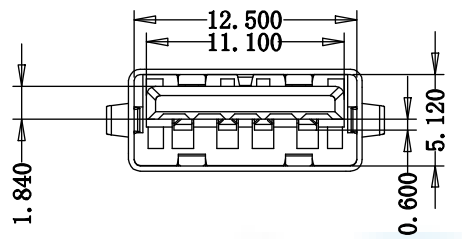


**ROHS**  
Compatible



| Pin NUMBER | SIGNAL NAME |
|------------|-------------|
| 1          | VBUS        |
| 2          | D-          |
| 3          | D+          |
| 4          | GND         |
| 5          | StdA_SSRX-  |
| 6          | StdA_SSRX+  |
| 7          | GND_DRAIN   |
| 8          | StdA_SSTX-  |
| 9          | StdA_SSTX+  |
| Shell      | Shield      |

**NOTE:**

**1. MATERIAL:**

- 1.1 INSULATOR: PBT & PA9T & LCP
- 1.2 CONTACT: COPPER ALLOY
- 1.3 SHELL: BRASS & SPCC & SUS201

**2. ELECTRICAL CHARACTERISTICS:**

- 2.1 CONTACT RESISTANCE: 40mΩ MAXIMUM
- 2.2 CONTACT CURRENT RATING: 1.5A
- 2.3 DIELECTRIC WITHSTANDING VOLTAGE: 100 V R. M. S.
- 2.4 INSULATION RESISTANCE 100 MEGOHMS MIN
- 2.5 OPERATING TEMPERATURE: -20° C ~ 60° C

**3. PLATING**

**3.1 TERMINAL:**

- 50u" MIN NICKEL ALL OVER
- 100u" MIN Tin ON SOLDER AREA
- (1~30)u" Au ON CONTACT AREA

**3.2 SHELL: 80u" MIN. NICKEL ALL OVER**

|          |               |       |               |
|----------|---------------|-------|---------------|
| DESIGN   | Li Jinwei     | SCALL |               |
| DRAWING  | Wu Qifa       | UNIT  | mm            |
| CHECK    | Zheng Jinxian | SIZE  | A4: 210 * 297 |
| APPROVAL | Liu Xiaohong  | DATE  | 2020-06-10    |

|            |            |
|------------|------------|
|            |            |
| TOLERANCE  |            |
| X.X ±0.30  | X.° ±2°    |
| .XX ±0.20  | .X° ±1°    |
| .XXX ±0.10 | .XX° ±0.5° |

|           |                         |
|-----------|-------------------------|
| DRAWG NO. | USB-30AF-LDK02          |
| TITLE:    | USB3.0 AF立式插板弯脚直边 13.7H |

**东莞市宏煜盛实业有限公司**

Dongguan hongyusheng Industry Co., Ltd

TEL: 0769-81230179 <https://www.hystypec.com>