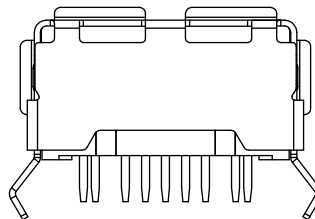
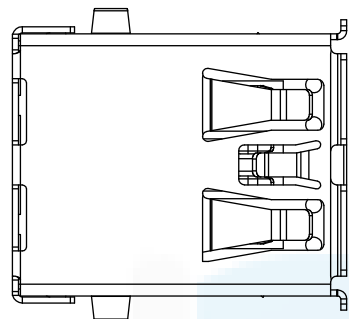
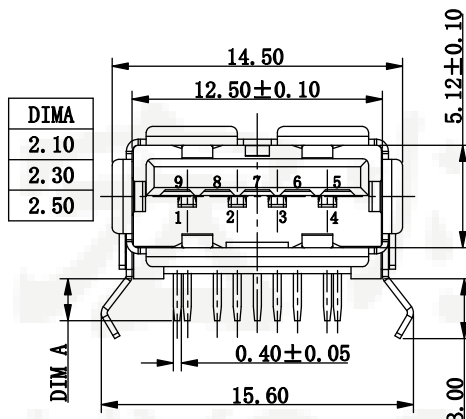
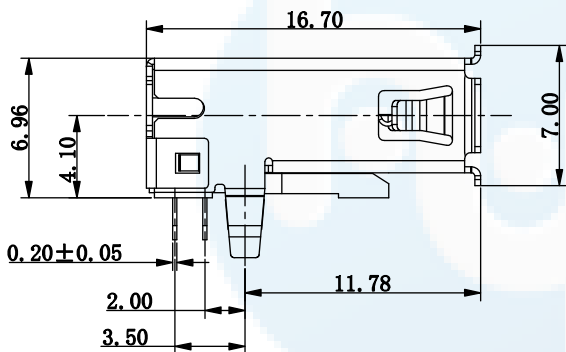


**ROHS**  
Compatible



Pin NUMBER	SIGNAL NAME
1	VBUS
2	D-
3	D+
4	GND
5	StdA_SSRX-
6	StdA_SSRX+
7	GND_DRAIN
8	StdA_SSTX-
9	StdA_SSTX+
Shell	Shield



DIMA
2.10
2.30
2.50

**NOTE:**

**1. MATERIAL:**

- 1.1 INSULATOR:HIGH TEMPERATURE PLASTIC
- 1.2 CONTACT:BRONZE
- 1.3 SHELL:BRASS

**2. ELECTRICAL CHARACTERISTICS:**

- 2.1 CONTACT RESISTANCE:30mΩ MAX
- 2.2 CONTACT CURRENT RATING:1.5A
- 2.3 DIELECTRIC WITHSTANDING VOLTAGE:100 V R. M. S.
- 2.4 INSULATION RESISTANCE 100 MΩ MIN
- 2.5 OPERATING TEMPERATURE:-40° C ~ 85° C

**3 MECHANICAL CHARACTERISTICS:**

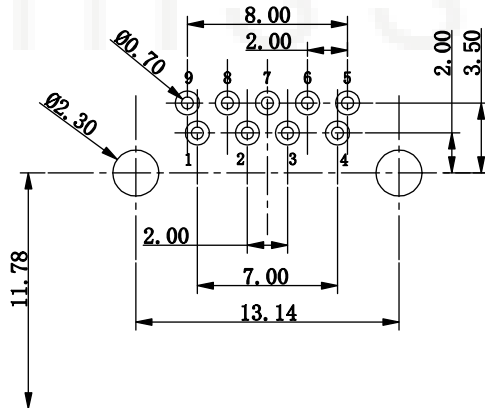
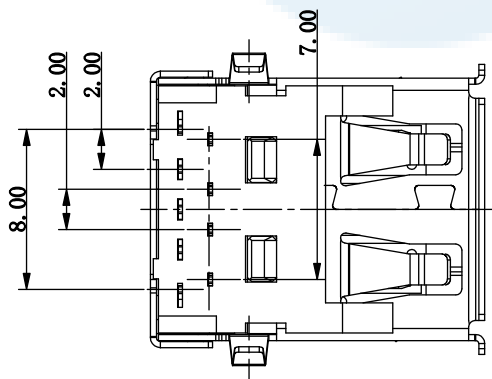
- 3.1 MATING FORCE:3.57kgf MAX
- 3.2 UNMATING FORCE:1.02kgf MIN
- 3.3 DURABILITY:MANDATORY:1,500 CYCLES

**4. PLATING**

**4.1 TERMINAL:**

- 50u" MIN NICKEL ALL OVER
- 100u"MIN Tin ON SOLDER AREA
- (1~30)u"Au ON CONTACT AREA

- 4.2 SHELL:50u"MIN. NICEL ALL OVER
- 5. PART NO.



RECOMMENDED PCBA LAYOUT  
(TOLERANCE±0.05)

DESIGN	Li Jinwei	SCALL	
DRAWING	Wu Qifa	UNIT	mm
CHECK	Zheng Jinxian	SIZE	A4: 210 * 297
APPROVAL	Liu Xiaohong	DATE	2020-06-10

TOLERANCE	
X.X ±0.30	X.°±2°
.XX ±0.20	.X°±1°
.XXX ±0.10	.XX°±0.5°

DRAWG NO.	USB-30AF-DK03Q
TITLE:	USB 3.0 AF板上90度DIP弯脚有卷边


**东莞市宏煜盛实业有限公司**  
 Dongguan hongyusheng Industry Co., Ltd  
 TEL: 0769-81230179 <https://www.hystypec.com>