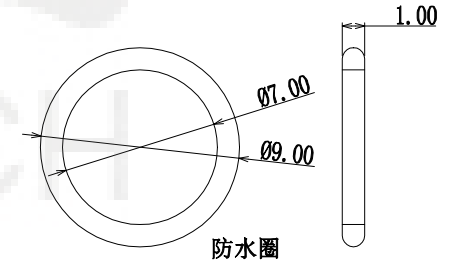
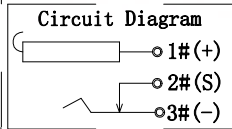
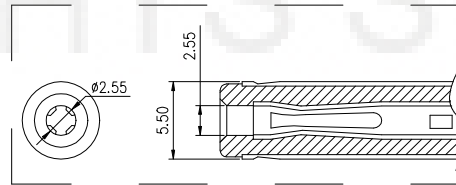
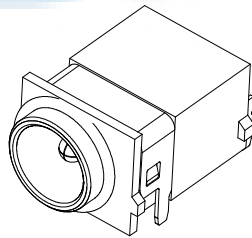
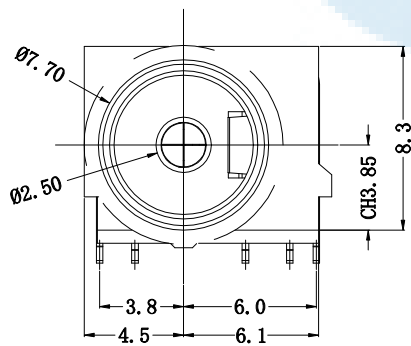
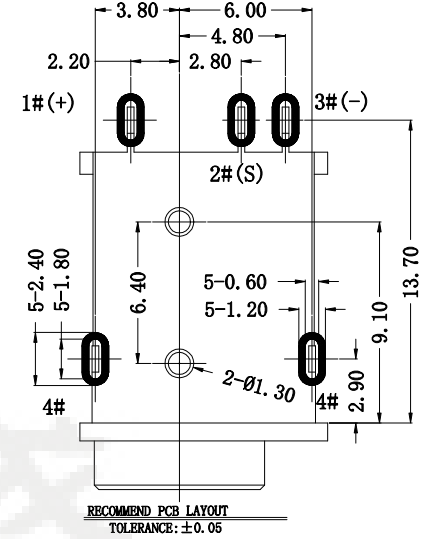
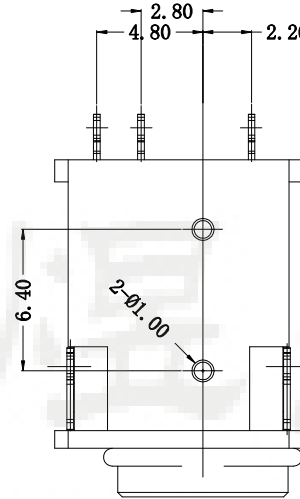
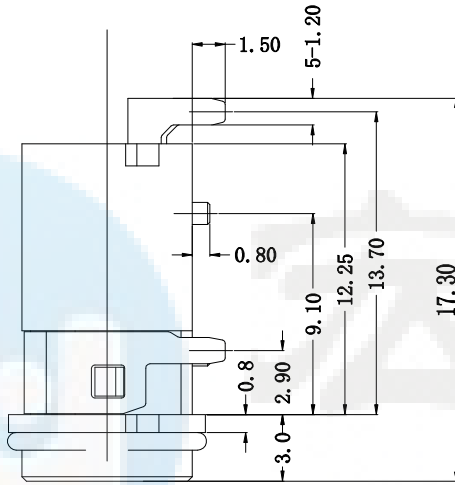
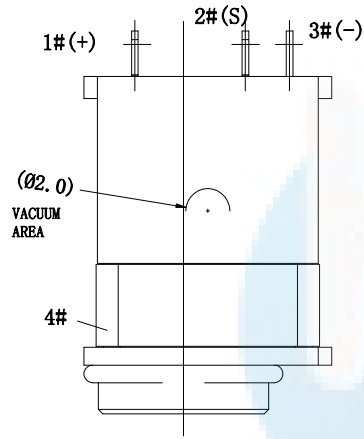
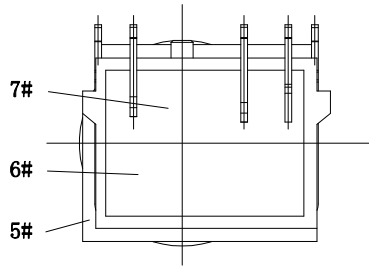


Notes:

1. Current Rating: 24V&5A max.
2. Contact Resistance: 50mOhms Max. (initial)
3. Insulation Resistance: 100M Ohms Min./500V DC
4. Dielectric Withstanding Voltage: 500V AC/1minute
5. Mating Force: 35N Max, Withdrawal Force: 3N Min.
6. Durability: 5,000 Cycles
7. Operating Temperature: -25° C to+85° C



ITEM	NAME	Q'TY	DESCRIPTION	NOTE
7	BOND	1	EPOXY; BLACK	
6	BACK COVER	1	HIGH TEMPERATURE; BLACK	
5	HOUSING	1	HIGH TEMPERATURE; BLACK	
4	TERMINAL 4#	1	STAINLESS STEEL; NICKEL PLATING	
3	TERMINAL 3#	1	COPPER ALLOY; NICKEL UNDER PLATING OVERALL, Sn PLATING ON SOLDER AREA, GOLD FLASH PLATING ON CONTACT AREA	
2	TERMINAL 2#	1	COPPER ALLOY; NICKEL UNDER PLATING OVERALL, Sn PLATING ON SOLDER AREA, GOLD FLASH PLATING ON CONTACT AREA	
1	CENTER PIN	1	COPPER ALLOY; NICKEL UNDER PLATING OVERALL, Sn PLATING ON SOLDER AREA, Ni FLASH PLATING ON CONTACT AREA	

DESIGN	Li Jinwei	SCALL		<p>TOLERANCE</p> <p>X.X ±0.30 X.° ±2°</p> <p>.X ±0.20 .X° ±1°</p> <p>.XXX ±0.10 .XXX° ±0.5°</p>
DRAWING	Hu Lilin	UNIT	mm	
CHECK	Ke Tao	SIZE	A4:210*297	
APPROVAL	Zhang Hui	DATE	2020-03-25	

DRAWG NO: DC-002F

TITLE: 防水DC插座

**东莞市宏煜盛实业有限公司**  
Dongguan hongyusheng Industrial Co., Ltd  
TEL:0769-81230179 <https://www.hystypec.com>