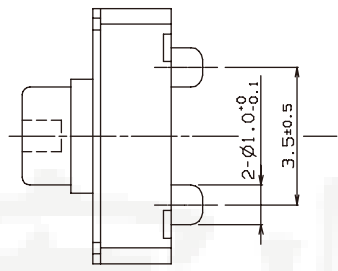
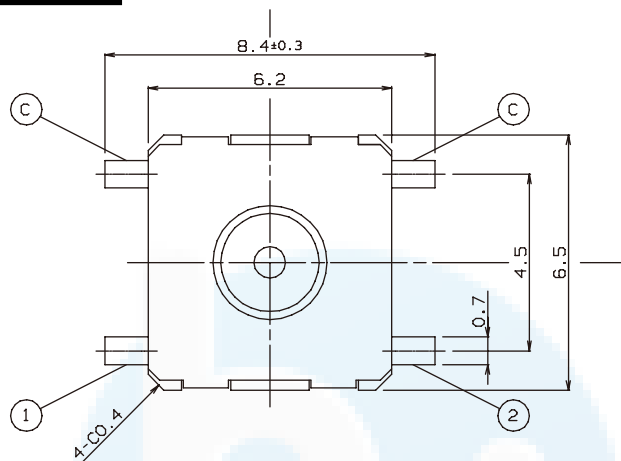
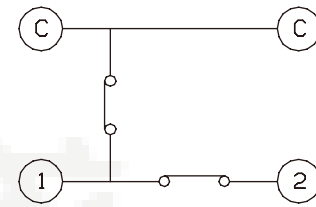
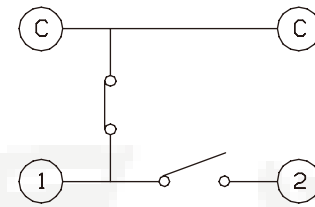


ROHS
Compatible



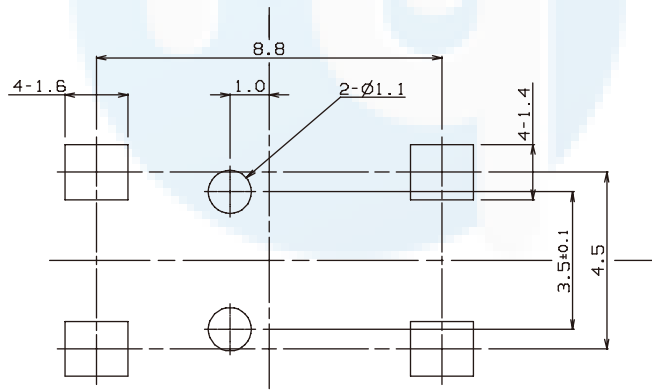
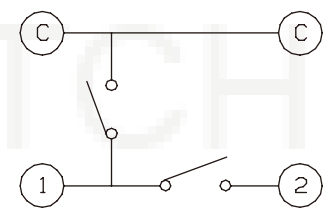
1ST MOVEMENT

2ND MOVEMENT

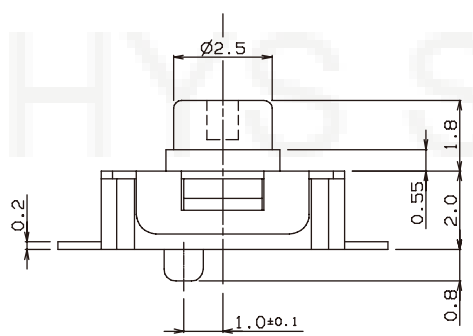


CIRCUIT DIAGRAM

NORMAL POSITION



P.C.B MOUNTING PATTERN



NOTE

- 1.RATING ; DC 30V, 20mA
- 2.CONTACT RESISTANCE : 200mΩ Max
- 3.STROKE : 1ST - 0.3±0.1, 2ND - 0.55±0.15
- 4.LIFE CYCLE : 10,000
- 5.GENERAL TOLERANCE : ±0.3
- 6.MANUFACTURING SPECIFICATION WOULD BE ACCORDANCE WITH JT 0122

DESIGN	Li Jinwei	SCALL	
DRAWING	Wu Qifa	UNIT	mm
CHECK	Zheng Jinxian	SIZE	A4: 210 * 297
APPROVAL	Liu Xiaohong	DATE	2020-06-10

TOLERANCE	
X.X	±0.30 X.°±2°
.XX	±0.20 .X°±1°
.XXX	±0.10 .XX°±0.5°

DRAWG NO.	HYS-1134
TITLE:	轻触开关

东莞市宏煜盛实业有限公司
 Dongguan hongyusheng Industry Co., Ltd
 TEL: 0769-81230179 <https://www.hystypec.com>