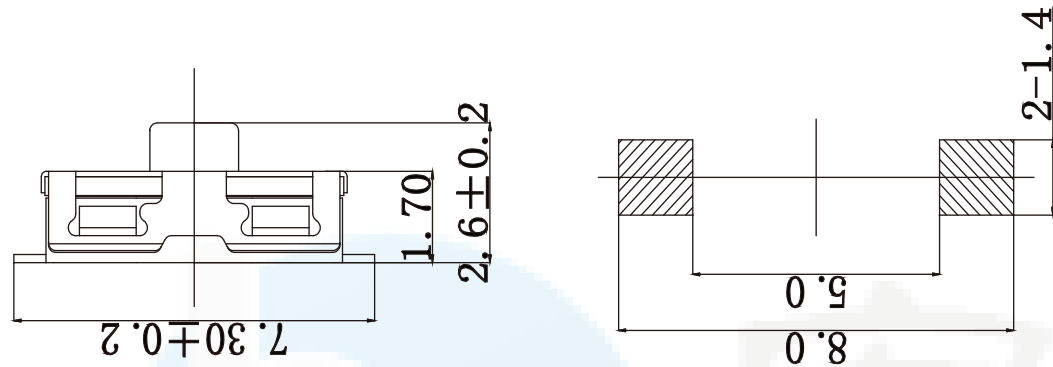
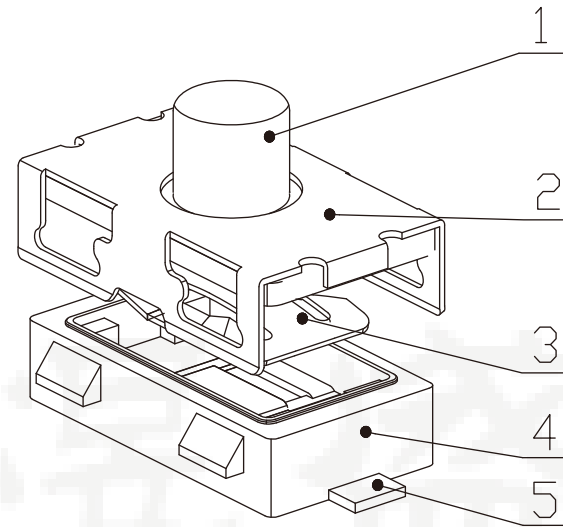
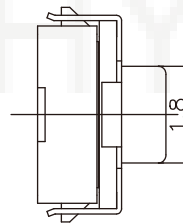
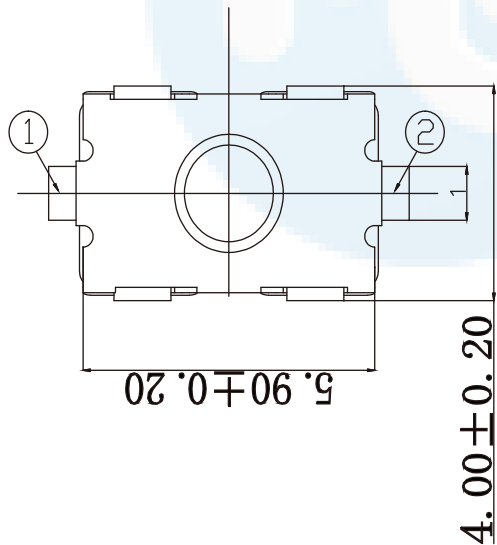


**ROHS**  
Compatible

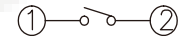


P.C.B焊接尺寸图



SPECIFICATION

1. Rating: DC 12V 50mA Max
2. Contact resistance: 100mΩ MAX
3. Insulation resistance: 100MΩ Min
4. Dielectric strength: 250VAC/min
5. Operating force: 250gf±50gf
6. Operating life: 100,000 cycles



电气原理图

NO (序号)	PART NAME (部件名)	QTY (数量)	MATERIAL (材料)	REMARK (备注)
5	TERMINAL (端子)	1	H65	Ag plating
4	HOUSING (底座)	1	PA6T	
3	CONTACT FORM (弹片)	1	SUS	Ag plating
2	COVER (盖板)	1	SUS	
1	STEM (按钮)	1	SILICONE	

DESIGN	Li Jinwei	SCALL		 TOLERANCE X.X ±0.30 X.°±2° .XX ±0.20 .X°±1° .XXX ±0.10 .XX°±0.5°
DRAWING	Wu Qifa	UNIT	mm	
CHECK	Zheng Jinxian	SIZE	A4: 210 * 297	
APPROVAL	Liu Xiaohong	DATE	2020-06-10	

DRAWG NO.	HYS-151
TITLE:	轻触开关



**东莞市宏煜盛实业有限公司**  
Dongguan hongyusheng Industry Co., Ltd  
TEL: 0769-81230179 <https://www.hystypec.com>