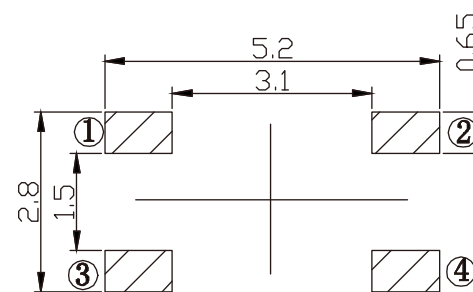
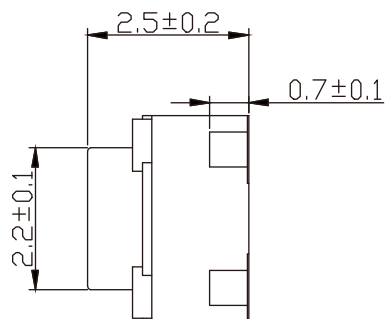
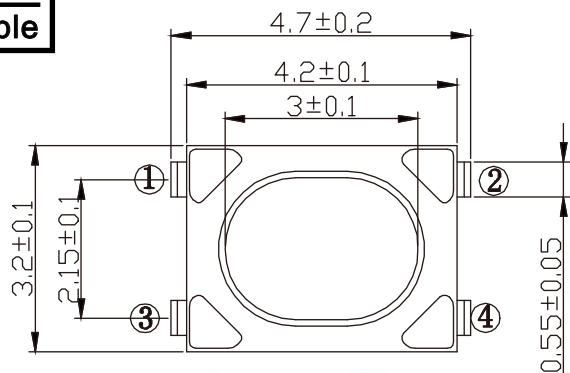
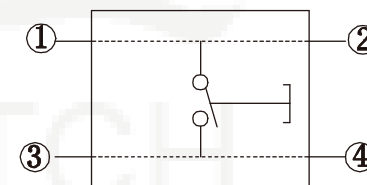
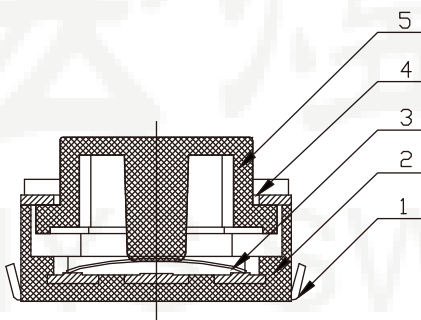
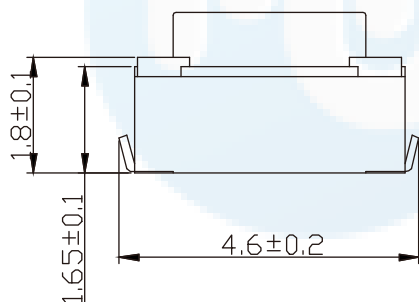


ROHS
Compatible



PCB板焊盘尺寸



电路图

NO.	NAME	MATERIAL	FINISHING
1	TERMINAL	phosphorous bronze	Silver plating
2	CASE	LCP	Black
3	CONTACT	SUS	Silver plating
4	COVER	Brass	copper
5	STEM	LCP	Black

SPECIFICATIONS	
Operating temperature rangs	-30° to +85°
Rating	DC 12V 50mA Max.
Contact Resistance	100mΩ Max
Dielectric strength	250V AC for 1min.
Travel	0.2±0.05mm
Operating Force	1 200±20gf
Operating Life (cycles)	200,000

DESIGN	Li Jinwei	SCALL	
DRAWING	Wu Qifa	UNIT	mm
CHECK	Zheng Jinxian	SIZE	A4: 210 * 297
APPROVAL	Liu Xiaohong	DATE	2020-06-10

TOLERANCE	
.X: ±0.20	X°: ±8°
.XX: ±0.10	.X°: ±5°
.XXX: ±0.05	.XX°: ±2°

DRAWG NO.	HYS-134
TITLE:	轻触开关 3.2*4.2*2.5mm U脚


东莞市宏煜盛实业有限公司
 Dongguan hongyusheng Industry Co., Ltd
 TEL: 0769-81230179 <https://www.hystypec.com>