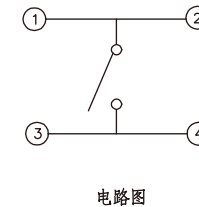
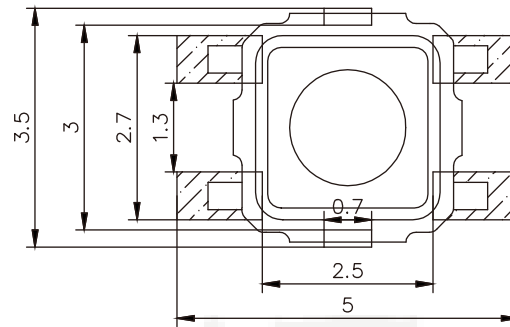
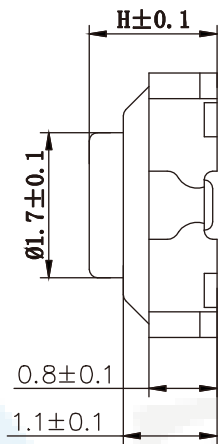
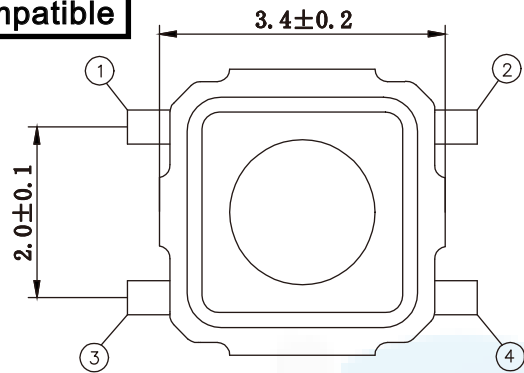
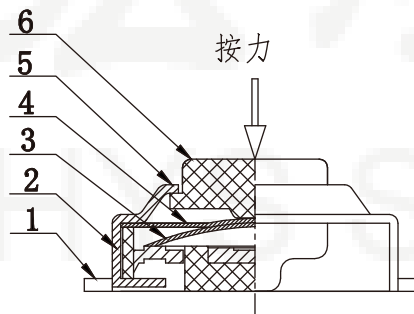
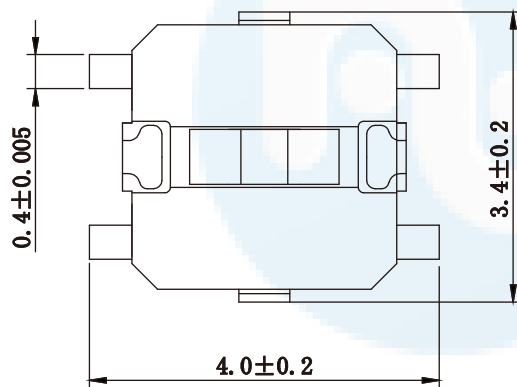


ROHS
Compatible



PCB板焊盘尺寸



高度	PCS/盘
H=1.5mm	4000
H=1.6mm	4000
H=1.7mm	4000
H=2.0mm	3000
H=2.5mm	3000

NO.	NAME	MATERIAL	FINISHING
1	TERMINAL	phosphorous bronze	Silver plating
2	CASE	LCP	Black
3	CONTACT	SUS301	Silver plating
4	Waterproof membrane	PI	Yellow
5	COVER	SUS304	White
6	STEM	LCP	Black/White

SPECIFICATIONS				
Operating temperature rangs	-30° to +85°			
Rating	DC 12V 50mA Max.			
Contact Resistance	100mΩ Max			
Dielectric strength	250V AC for 1min.			
Travel	0.15±0.05mm			
Operating Force	1	2	3	4
Operating Life (cycles)	50,000	100,000	100,000	100,000

DESIGN	Li Jinwei	SCALL	
DRAWING	Wu Qifa	UNIT	mm
CHECK	Zheng Jinxian	SIZE	A4: 210 * 297
APPROVAL	Liu Xiaohong	DATE	2020-06-10

TOLERANCE	
X.X ±0.30	X.°±2°
.XX ±0.20	.X°±1°
.XXX ±0.10	.XX°±0.5°

DRAWG NO.	HYS-123
TITLE:	贴片轻触开关 3*3*H


东莞市宏煜盛实业有限公司
 Dongguan hongyusheng Industry Co., Ltd
 TEL: 0769-81230179 <https://www.hystypec.com>