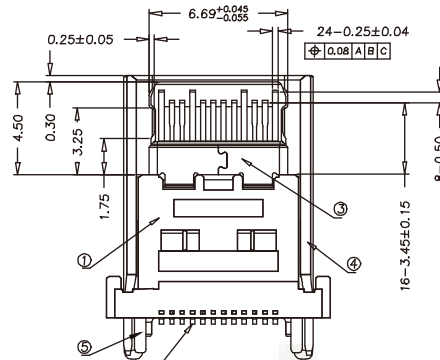
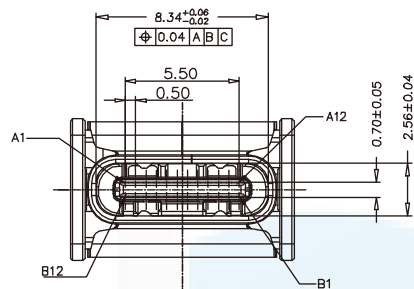
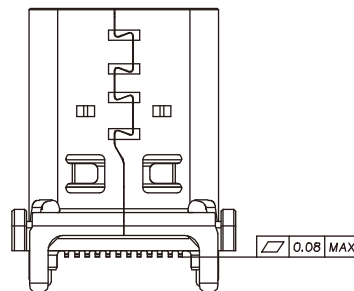
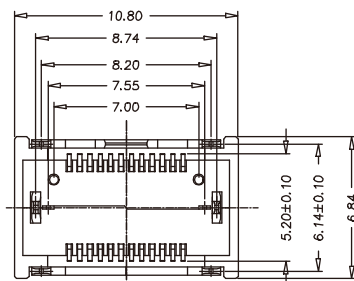
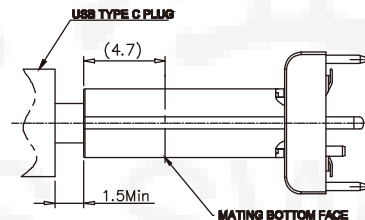
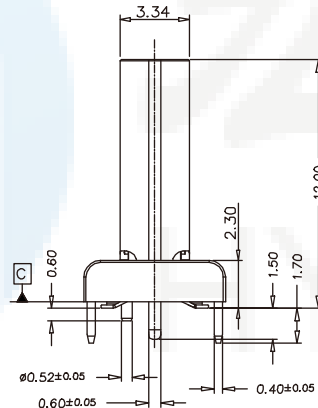
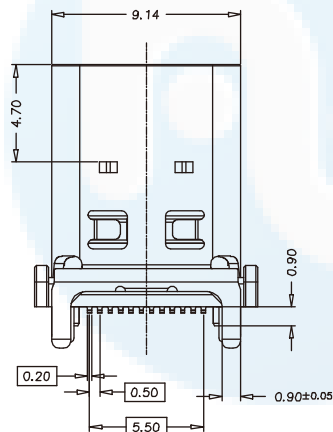
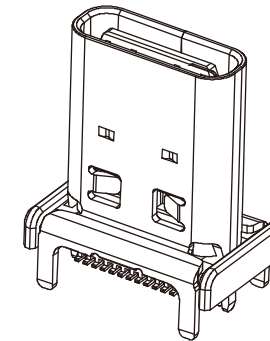


**ROHS**  
Compatible



SECTION A-A  
SCALE 1:1



NOTE:

- 1.MATERIAL SPECIFICATION:
  - 1-1.HOUSING:HIGH TEMPERATURE RESISTANT PLASTIC, WITH 30%GLASS FILLED,UL94 V-0 BLACK.
  - 1-2.CONTACTS: COPPER ALLOY
  - 1-3.EMI SPRING: STAINLESS STEEL
  - 1-4.FRONT SHELL: STAINLESS STEEL
  - 1-5.MIDDLE BLADE: STAINLESS STEEL
- 2.PLATING SPECIFICATION:
  - 2-1.CONTACTS: Ni 50u" MIN. UNDER PLATED OVER ALL. 1-30u" Au PLATED ON THE FUNCTIONAL AREA OF CONTACT. TIN PLATED ON SOLDER AREA.
  - 2-2.EMI SPRING: CLEANING ONLY
  - 2-3.FRONT SHELL: Ni 50u" MIN. UNDER PLATED OVER ALL.
  - 2-4.MIDDLE BLADE: Ni 50u" MIN. UNDER PLATED OVER ALL.
- 3.MECHANICAL PERFORMANCE,
  - 3-1.INSERTION FORCE: 0.5~2.0kgf.
  - 3-2.REMOVAL FORCE: 0.8kgf~2.0kgf.
  - 3-3.DURABILITY: 10000 CYCLES.
- 4.ELECTRICAL PERFORMANCE,
  - 4-1. CURRENT RATING:5.0A VOLTAGE RATING:5.0V
  - 4-2. LLCR: VBUS & GND PINS AND OTHER PINS: 40mΩ/PIN MAX. SHIELD: 50mΩ/MAX. LLCR MAX. CHANGE OF ALL PINS: 10mΩ.
  - 4-3.INSULATION RESISTANCE: 100MΩ MIN
  - 4-4.DIELECTRIC WITHSTAND VOLTAGE,AC 100V FOR 1 MINUTE.
5. ENVIRONMENTAL PERFORMANCE: OPERATING TEMPERATURE: -25°C~+85°C.
- 6.IR REFLOW: THE PEAK TEMPERATURE ON THE BOARD SHALL BE MAINTAINED FOR 10 SECONDS AT 260°C.

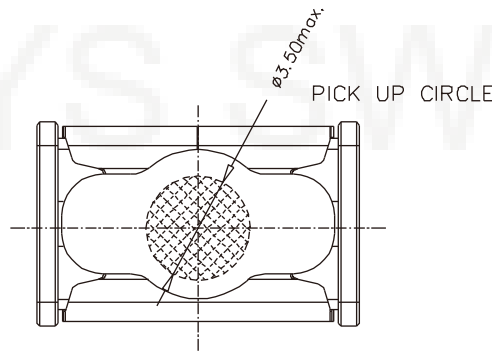
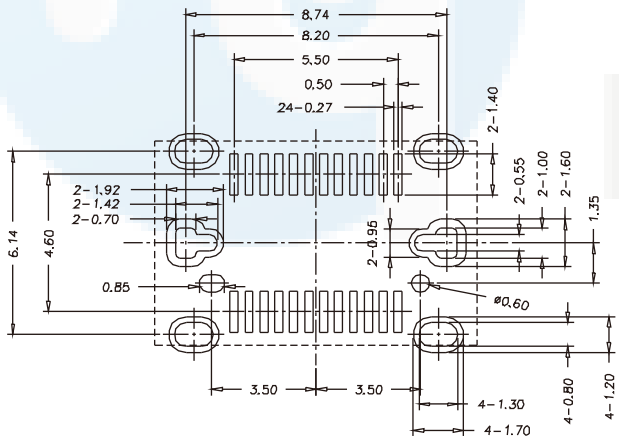
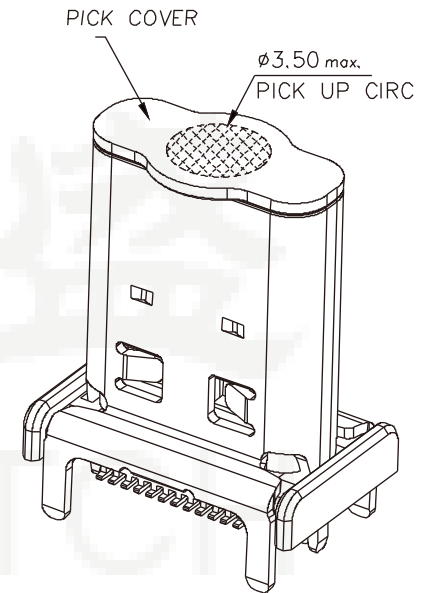
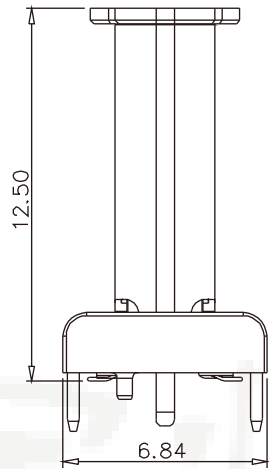
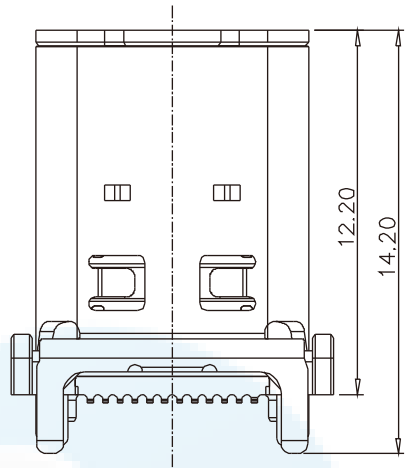
DESIGN	Li Jinwei	SCALL	
DRAWING	Wu Qifa	UNIT	mm
CHECK	Zheng Jinxian	SIZE	A4: 210 * 297
APPROVAL	Liu Xiaohong	DATE	2020-06-10

TOLERANCE	
X.X ±0.30	X.°±2°
.XX ±0.20	.X° ±1°
.XXX ±0.10	.XX°±0.5°


DRAWG NO.	TYPE-C-LDS24PZ120
TITLE:	24P立式贴片四脚插板SMT 仿Molex 12.0H


**东莞市宏煜盛实业有限公司**  
 Dongguan hongyusheng Industry Co., Ltd  
 EL: 0769-81230179 <https://www.hystypec.com>

**ROHS**  
Compatible



RECOMENDED PCB LAYOUT  
PCB T=1.60mm  
TOL:+0.05

DESIGN	Li Jinwei	SCALL		 <b>TOLERANCE</b> X.X ±0.30 X.°±2° .XX ±0.20 .X°±1° .XXX ±0.10 .XX°±0.5°
DRAWING	Wu Qifa	UNIT	mm	
CHECK	Zheng Jinxian	SIZE	A4: 210 * 297	
APPROVAL	Liu Xiaohong	DATE	2020-06-10	

DRAWG NO.	TYPE-C-LDS24PZ120
TITLE:	24P立式贴片四脚插板SMT 仿Molex 12.0H



**东莞市宏煜盛实业有限公司**  
Dongguan hongyusheng Industry Co., Ltd  
EL: 0769-81230179 <https://www.hystypec.com>