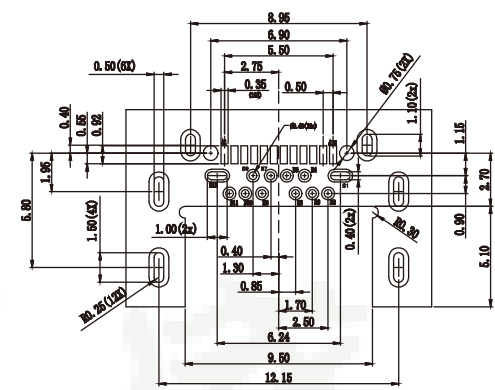
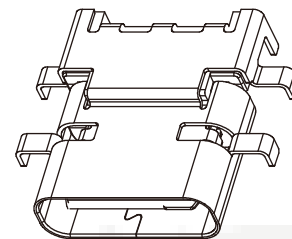
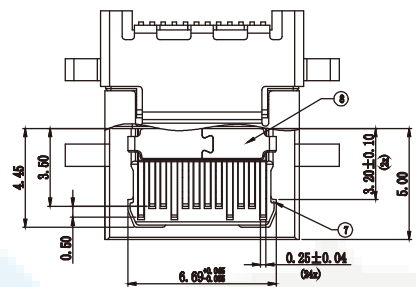
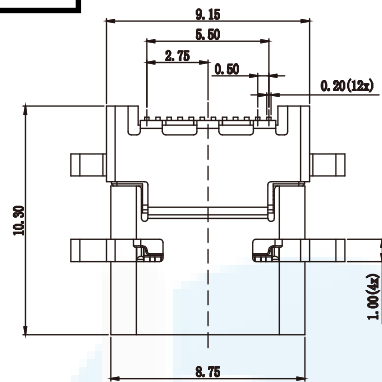
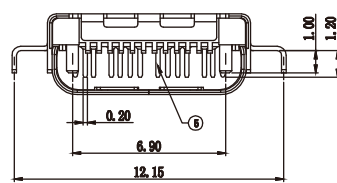
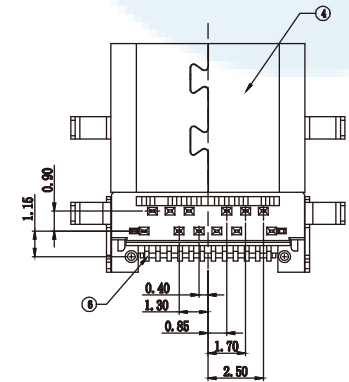
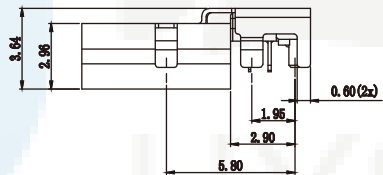
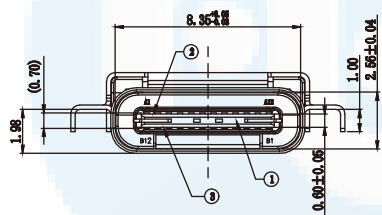


**ROHS**  
Compatible



PCB LAYOUT (RECOMMENDED)  
(Tol: ±0.05)



- 1. Electrical Performance:**  
 Current Rating: 5A on Vbus/ 1.25A on Vconn/ 0.25A on others  
 Insulation Resistance: 100MΩ MIN;  
 Dielectric Voltage: 100 VAC/minute;  
 Contact Resistance: 40mΩ Max for initial;
- 2. Mechanical Performance:**  
 Insertion Force: 5~20N  
 Extraction Force: 8~20N  
 Durability: 10,000 Times

ITEM	PARTS NAME	Q'TY	MATERIAL	FINISH/REMARK
1	Insemold housing	1	LCP	Black
2	12pin Insemold- (1)	1	LCP	Black
3	12pin Insemold- (2)	1	LCP	Black
4	SHELL	1	SUS	Ni50u" Min
5	12pin Contact- (DIP)	12	COPPER ALLOY	Gold flash on contact area 100u" Th on solder tabs, base Ni40u"50u"
6	12pin Contact- (SMT)	12	COPPER ALLOY	Gold flash on contact area 100u" Th on solder tabs, base Ni40u"50u"
7	Latch	1	SUS	base Ni40u"50u" Min ;Tln: 80u" Min Over All
8	Ground plate	1	SUS	Ni50u" Min

DESIGN	Li Jinwei	SCALL	
DRAWING	Wu Qifa	UNIT	mm
CHECK	Zheng Jinxian	SIZE	A4: 210 * 297
APPROVAL	Liu Xiaohong	DATE	2020-06-10

TOLERANCE	
X.X	±0.30 X.°±2°
.XX	±0.20 .X°±1°
.XXX	±0.10 .XX°±0.5°

DRAWG NO.	TYPE-C-CDS24PZ188
TITLE:	24P沉板1.88六脚插板DIP+SMT 10.3L

**东莞市宏煜盛实业有限公司**  
 Dongguan hongyusheng Industry Co., Ltd  
 EL: 0769-81230179 <https://www.hystypec.com>