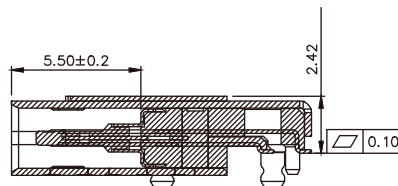
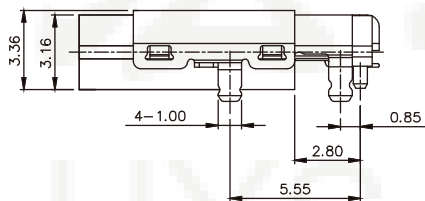
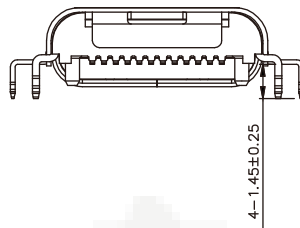
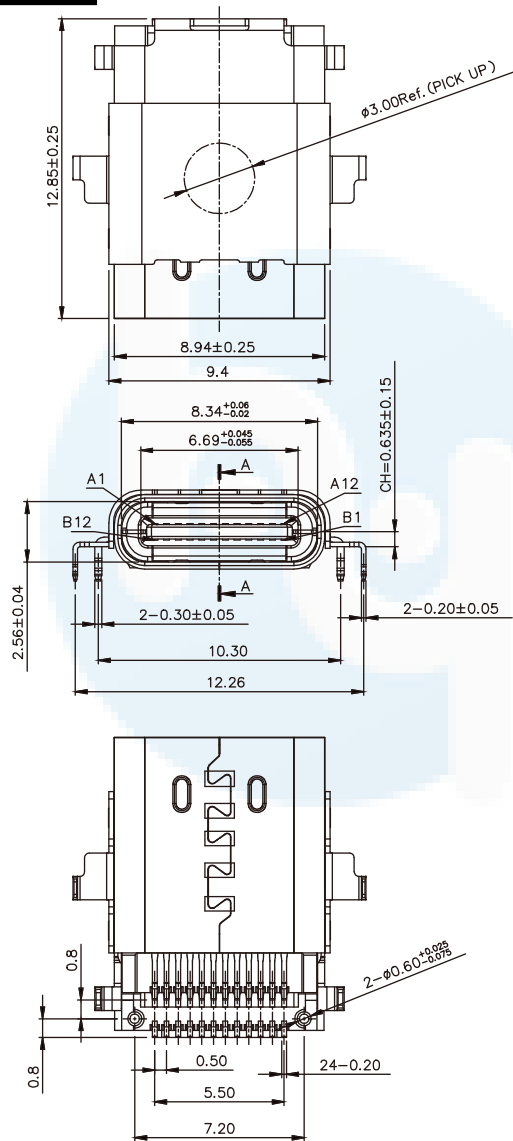
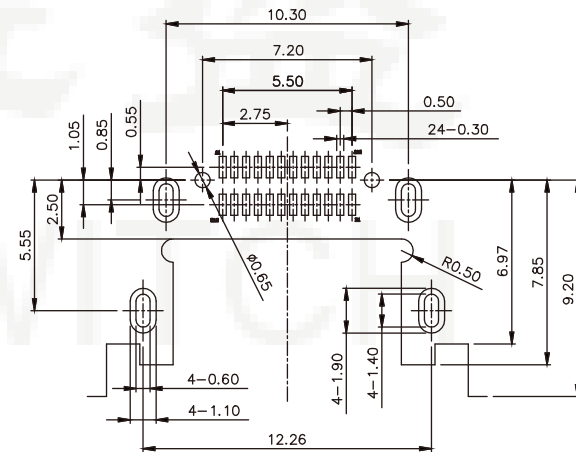
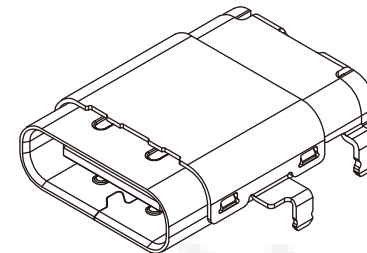


ROHS
Compatible



SECTION "A-A"



RECOMMENDED P.C.B LAYOUT (TOP VIEW)

NOTE:

1. MATERIAL:
 - 1.1 INSULATOR: HIGH TEMPERATURE PLASTIC UL 94V-0;
 - 1.2 CONTACT: COPPER ALLOY
 - 1.3 SHELL: STAINLESS STEEL
2. PLATING
 - 2.1 TERMINAL CONTACT: (SEE TAB) SELECTIVE GOLD PLATING IN THE CONTACT AREA A G/F PLATING IN THE SOLDER TAIL AREA WITH 50u" NICKEL UNDER PLATING OVERALL.
 - 2.2 SHELL: 50u" Min. NICKEL ALL OVER,

ND

DESIGN	Li Jinwei	SCALL	
DRAWING	Wu Qifa	UNIT	mm
CHECK	Zheng Jinxian	SIZE	A4: 210 * 297
APPROVAL	Liu Xiaohong	DATE	2020-06-10

TOLERANCE	
X.X ±0.30	X.° ±2°
.XX ±0.20	.X° ±1°
.XXX ±0.10	.XX° ±0.5°

DRAWG NO.	TYPE-C-CDSJ24PZ094
TITLE:	24P沉板0.94四脚插板SMT 12.85L

东莞市宏煜盛实业有限公司
 Dongguan hongyusheng Industry Co., Ltd
 EL: 0769-81230179 <https://www.hystypec.com>