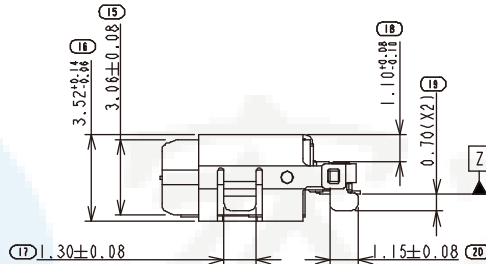
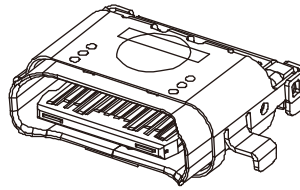
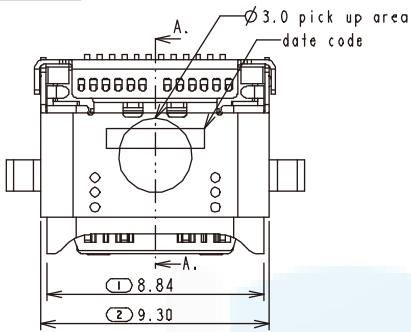


ROHS
Compatible



- 2.NO. OF POSITION:
A: 24 POSITIONS.
- 3.COLOR OF INSULATOR:
K: BLACK.
- 4.PLATING OF CONTACT:
5: Au 30u"
- 5.PLATING OF FRONT SHELL & LOGO
3: SOLDERING NICKEL W/O ACON LOGO
- 6.MATERIAL OF HOUSING
5: PA46
- 7:PACKING & OTHER
0: TAPE REEL

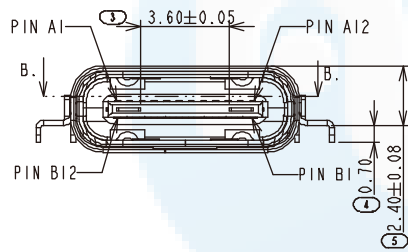
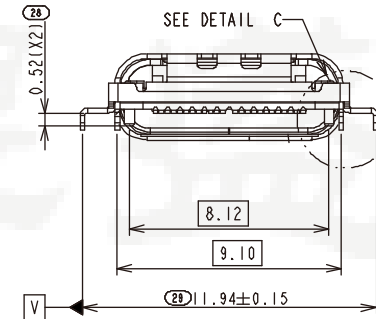
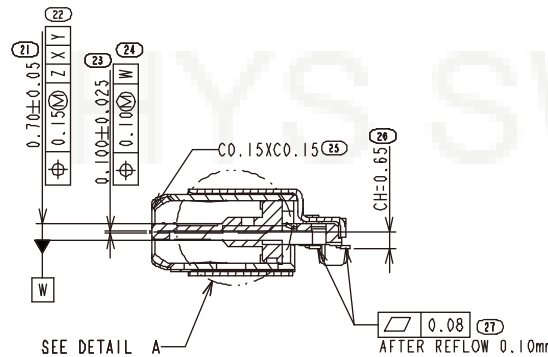
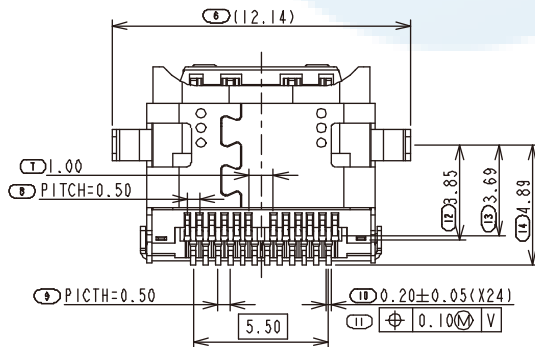


TABLE B:
PLATING SPECIFICATION:

CONTACT: AREA PLATED Au 30 u", SOLDER TAIL PLATED GOLD FLASH.
UNDERPLATED Ni 50~120u"
OUTER SHELL: SOLDERABLE Ni 50~120u"
MAIN SHELL: Ni 50~120u"
GROUND PLATED: SOLDERABLE Ni 50~120u"

5	OUTTER SHELL	1	~	SUS304 / SOLDERABLE Ni PLATED
4	SHELL	1	~	SUS304 / Ni PLATED
3	GROUND PLATED	1	~	SUS301 / SOLDERABLE Ni PLATED
2	CONTACT	24	~	C18400 / SEE TABLE A
1	HALF PRODUCT	1	~	PA46 UL94V-0
ITEM	NAME	Q'TY	PART #	MATERIAL / FINISH



SECTION A.-A.

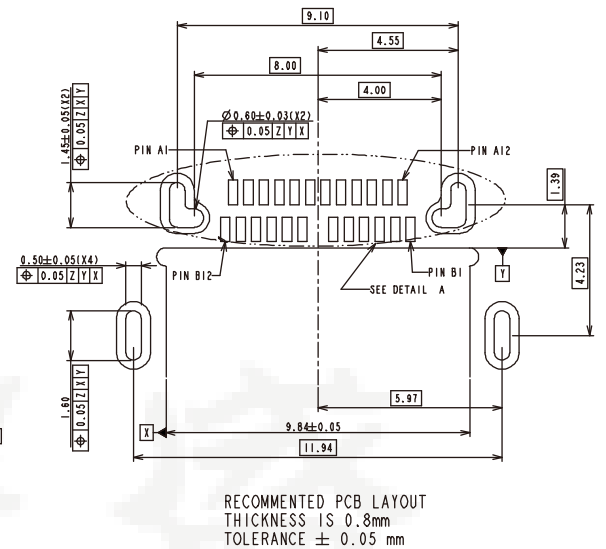
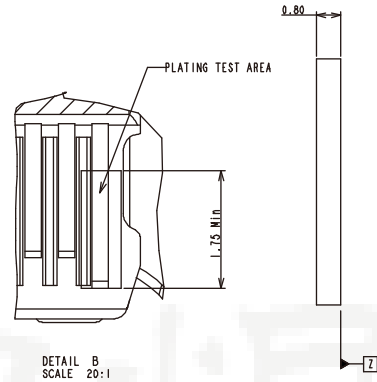
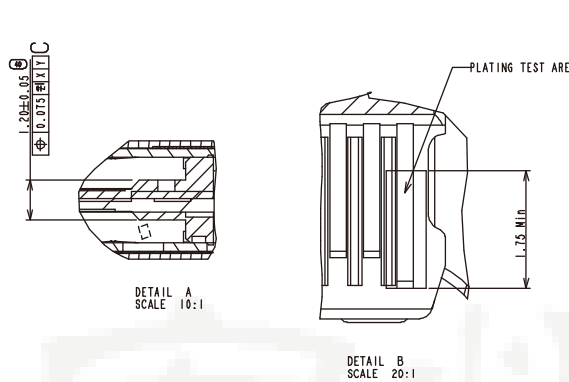
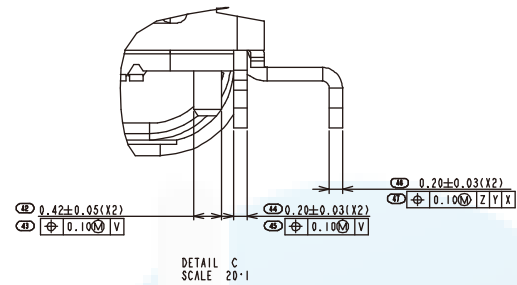
PIN NO.	A1	A2	A3	A4	A5	A6	A7	A8	A9	A10	A11	A12
SIGNAL NAME	GND	SSTxp1	SSTXn1	VBUS	CC1	Dp1	Dn1	SBU1	VBUS	SSRXn2	SSRXp2	GND
PIN NO.	B12	B11	B10	B9	B8	B7	B6	B5	B4	B3	B2	B1
SIGNAL NAME	GND	SSRXp1	SSRXn1	VBUS	SBU2	Dn1	Dp1	CC2	VBUS	SSTXn2	SSTXp2	GND

DESIGN	Li Jinwei	SCALL		 TOLERANCE X.X ±0.30 X.°±2° .XX ±0.20 .X°±1° .XXX ±0.10 .XX°±0.5°
DRAWING	Wu Qifa	UNIT	mm	
CHECK	Zheng Jinxian	SIZE	A4: 210 * 297	
APPROVAL	Liu Xiaohong	DATE	2020-06-10	

DRAWG NO.
TYPE-C-CDSW24P112
TITLE:
24P沉板1.12四脚插板双SMT 缩口式 8.15L

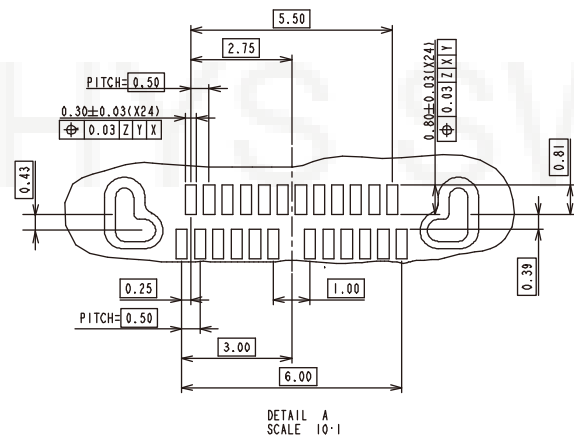
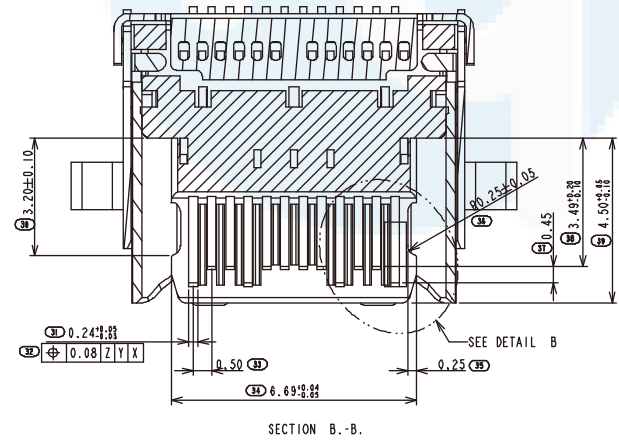
东莞市宏煜盛实业有限公司
Dongguan hongyusheng Industry Co., Ltd
EL: 0769-81230179 <https://www.hystypec.com>

ROHS
Compatible



NOTES:

- 1.0. ELECTRICAL CHARACTERISTICS:
- 1.1. LOW LEVEL CONTACT RESISTANCE:
INITIAL: 30mΩ FOR VBUS AND GND CONTACT MA
40mΩ FOR OTHER CONTACT MAX.
AFTER : 10mΩ MAX CHANGE.
- 1.2. DIELECTRIC WITHSTANDING VOLTAGE:
100 VAC FOR 1 MINUTE SEA LEVEL.
- 1.3. INSULATION RESISTANCE:
100MΩ MIN.
- 1.4. CURRENT RATING:
1.25A AT 250 VAC MIN. FOR VBUS PIN
0.25A AT 250 VAC MIN. FOR OTHER CONTACT
- 2.0. MECHANICAL CHARACTERISTICS:
- 2.1. DURABILITY : 10,000 CYCLES
- 2.2. INSERTION FORCE: 20N MAX
- 2.3. EXTRACTION FORCE:
0~1000 CYCLE 8N MIN. 20 N MAX.
1001~10000 CYCLE 6N MIN. 20 N MAX.
- 3.0 OPERATING TEMPERATURE: -55°C TO +85°



DESIGN	Li Jinwei	SCALL		 TOLERANCE X.X ±0.30 X.°±2° .XX ±0.20 .X°±1° .XXX ±0.10 .XX°±0.5°	DRAWG NO.	 东莞市宏煜盛实业有限公司 Dongguan hongyusheng Industry Co., Ltd EL: 0769-81230179 https://www.hystypec.com
DRAWING	Wu Qifa	UNIT	mm		TITLE:	
CHECK	Zheng Jinxian	SIZE	A4: 210 * 297		24P沉板1.12四脚插板双SMT 缩口式 8.15L	
APPROVAL	Liu Xiaohong	DATE	2020-06-10			