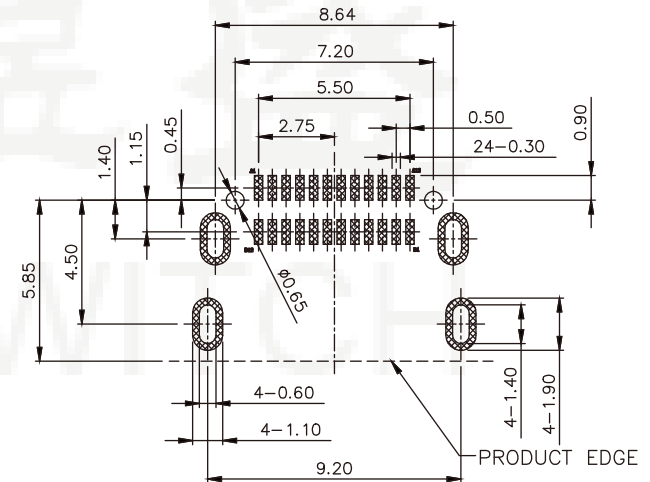
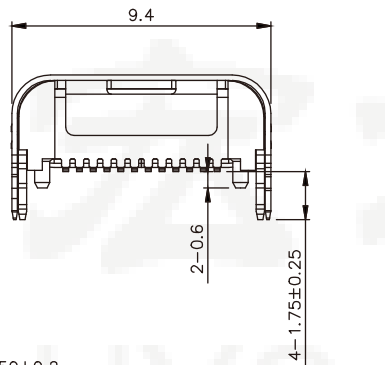
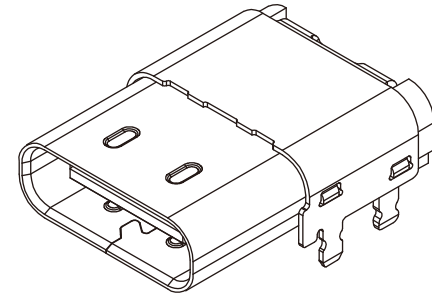
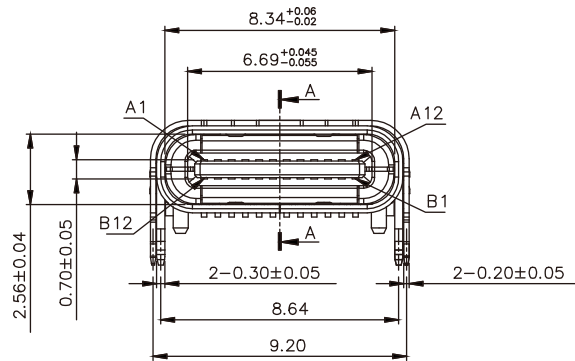
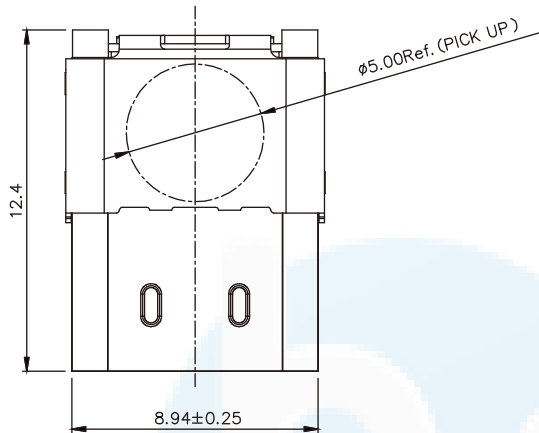
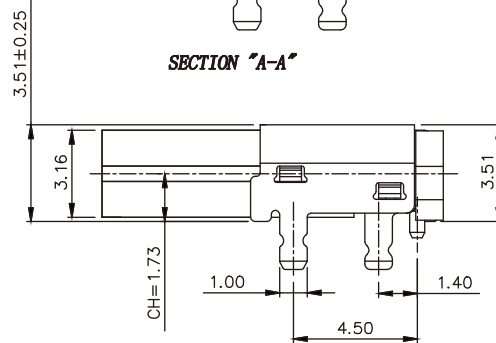
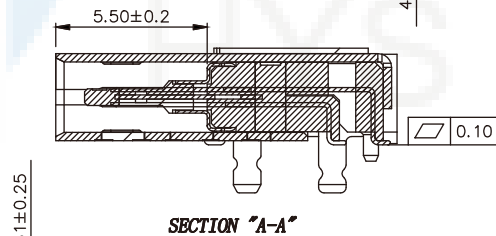
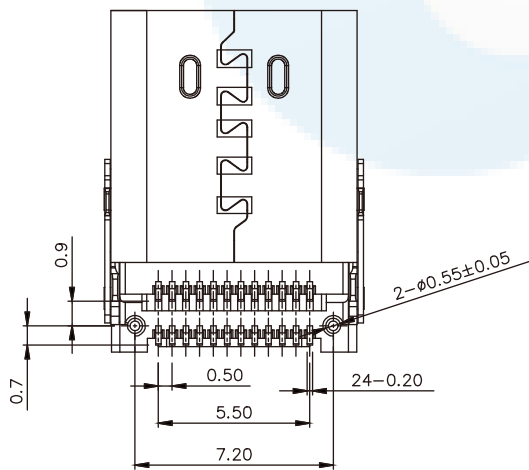


ROHS
Compatible



RECOMMENDED P.C.B LAYOUT (TOP VIEW)

NOTE:
 1. MATERIAL:
 1.1 INSULATOR: **HIGH TEMPERATURE PLASTIC UL 94V-0**;
 1.2 CONTACT: COPPER ALLOY
 1.3 SHELL: STAINLESS STEEL
 2. PLATING
 2.1 TERMINAL CONTACT: (**SEE TAB**) SELECTIVE GOLD PLATING IN THE CONTACT AREA AND G/F PLATING IN THE SOLDER TAIL AREA WITH 50u" NICKEL UNDER PLATING OVERALL.
 2.2 SHELL: 50u" Min. NICKEL **ALL OVER**,



DESIGN	Li Jinwei	SCALL	
DRAWING	Wu Qifa	UNIT	mm
CHECK	Zheng Jinxian	SIZE	A4: 210 * 297
APPROVAL	Liu Xiaohong	DATE	2020-06-10

TOLERANCE	
X.X ±0.30	X.°±2°
.XX ±0.20	.X° ±1°
.XXX ±0.10	.XX°±0.5°

DRAWG NO.	TYPE-C-DSJ24P124
TITLE:	24P板上型四脚插板双SMT 12.4L

 **东莞市宏煜盛实业有限公司**
 Dongguan hongyusheng Industry Co., Ltd
 EL: 0769-81230179 <https://www.hystypec.com>