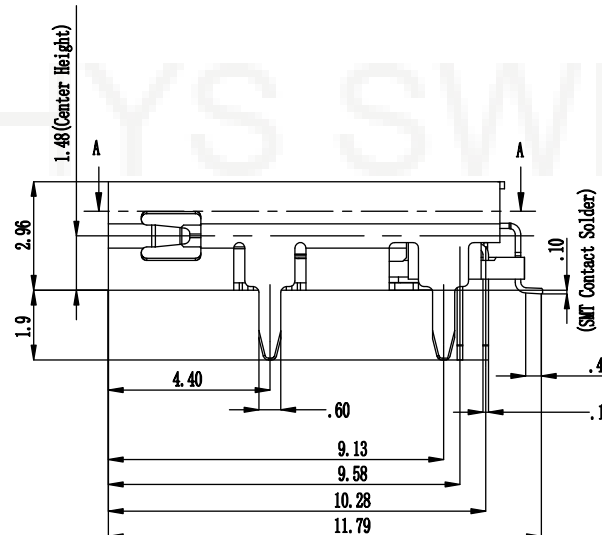
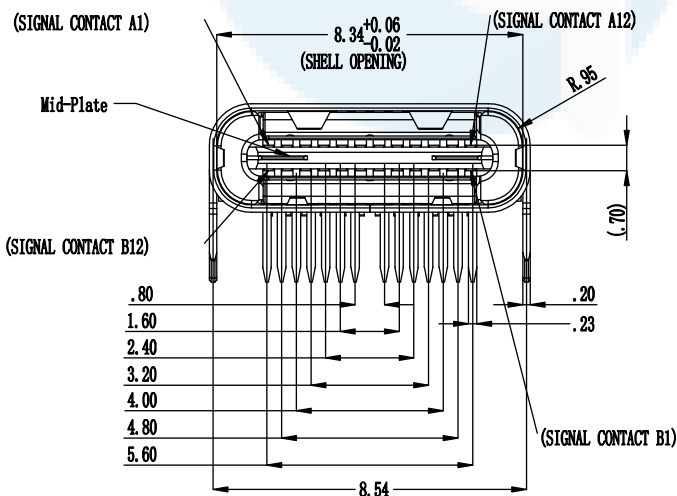
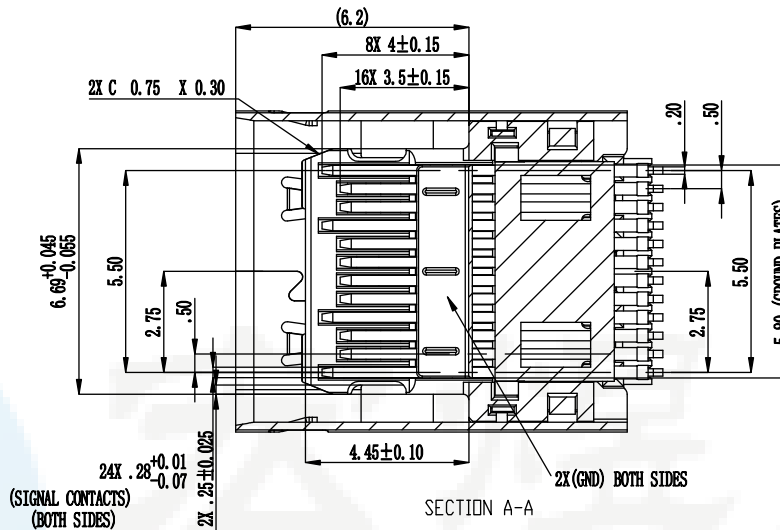
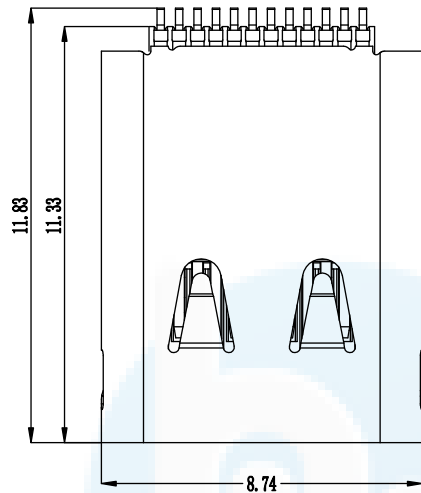


ROHS
Compatible



SPECIFICATION

MATERIAL

Insulator: Thermoplastic, Black
Contacts: BRASS
Shell: Stainless Steel
CONTACT PLATING

Underplate: 40u"~80u" Nickel
Contact area: 30u" Pd-Ni+2u" Selective gold,
Solder tails area: 100u"~200u" Tin (Lead Free)
ELECTRICAL

Operation voltage: 20 V
Current rating: 5 Amps max.
Insulation resistance: 100 Mohms min @ 100 VDC
Dielectric withstanding voltage: 100 VAC / minute
Temperature range: -40° C TO +105° C
Mating cycles: 10,000 insertions

Part no.

	PCB 1.0mm	PCB 1.6mm
DIM-A	1.50mm	1.90mm

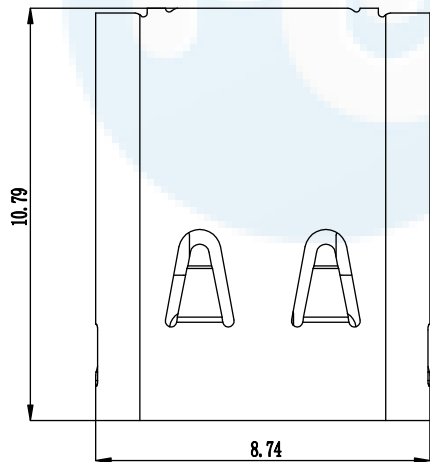
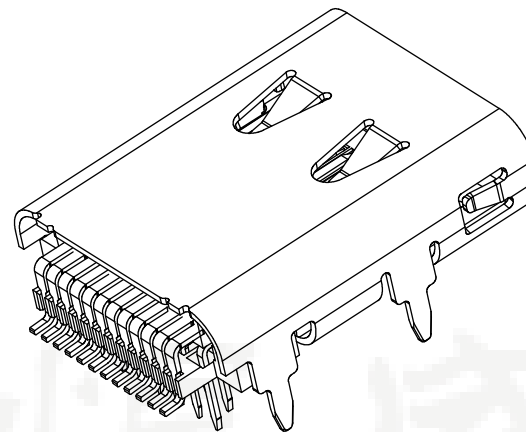
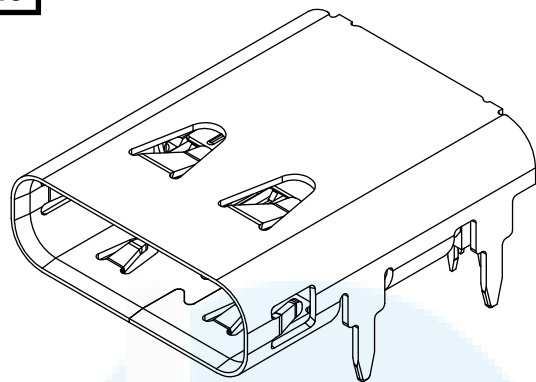
DESIGN	Li Jinwei	SCALL		<p>TOLERANCE X.X ±0.30 X.°±2° .XX ±0.20 .X°±1° .XXX ±0.10 .XX°±0.5°</p>
DRAWING	Wu Qifa	UNIT	mm	
CHECK	Zheng Jinxian	SIZE	A4: 210 * 297	
APPROVAL	Liu Xiaohong	DATE	2020-06-10	

DRAWG NO.	TYPE-C-DST24P1133
TITLE:	24P板上型四脚插板DIP+SMT带弹 11.33L

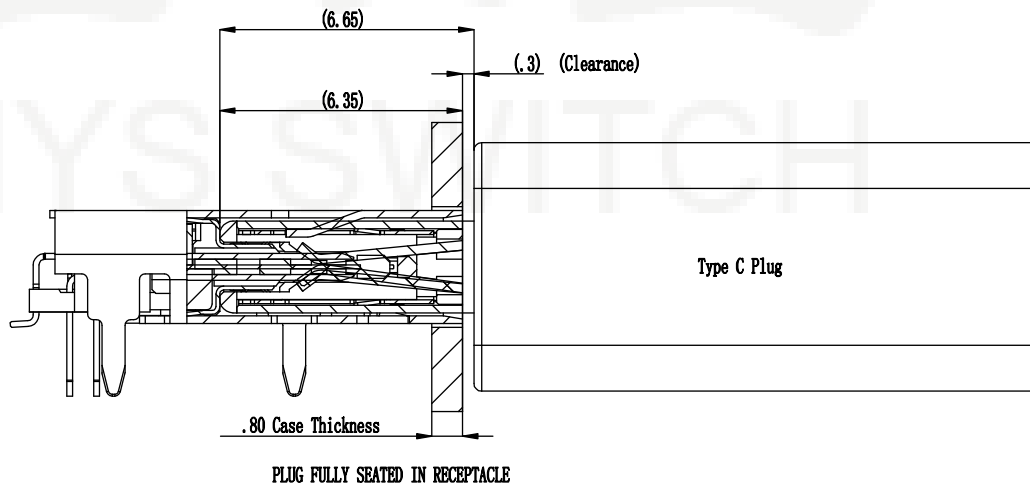


东莞市宏煜盛实业有限公司
Dongguan hongyusheng Industry Co., Ltd
TEL: 0769-81230179 <https://www.hystypec.com>


ROHS
Compatible



COXOC logo



DESIGN	Li Jinwei	SCALL	
DRAWING	Wu Qifa	UNIT	mm
CHECK	Zheng Jinxian	SIZE	A4: 210 * 297
APPROVAL	Liu Xiaohong	DATE	2020-06-10

	
TOLERANCE	
X.X	±0.30 X.°±2°
.XX	±0.20 .X° ±1°
.XXX	±0.10 .XX°±0.5°

DRAWG NO.	TYPE-C-DST24P1133
TITLE:	24P板上型四脚插板DIP+SMT带弹 11.33L

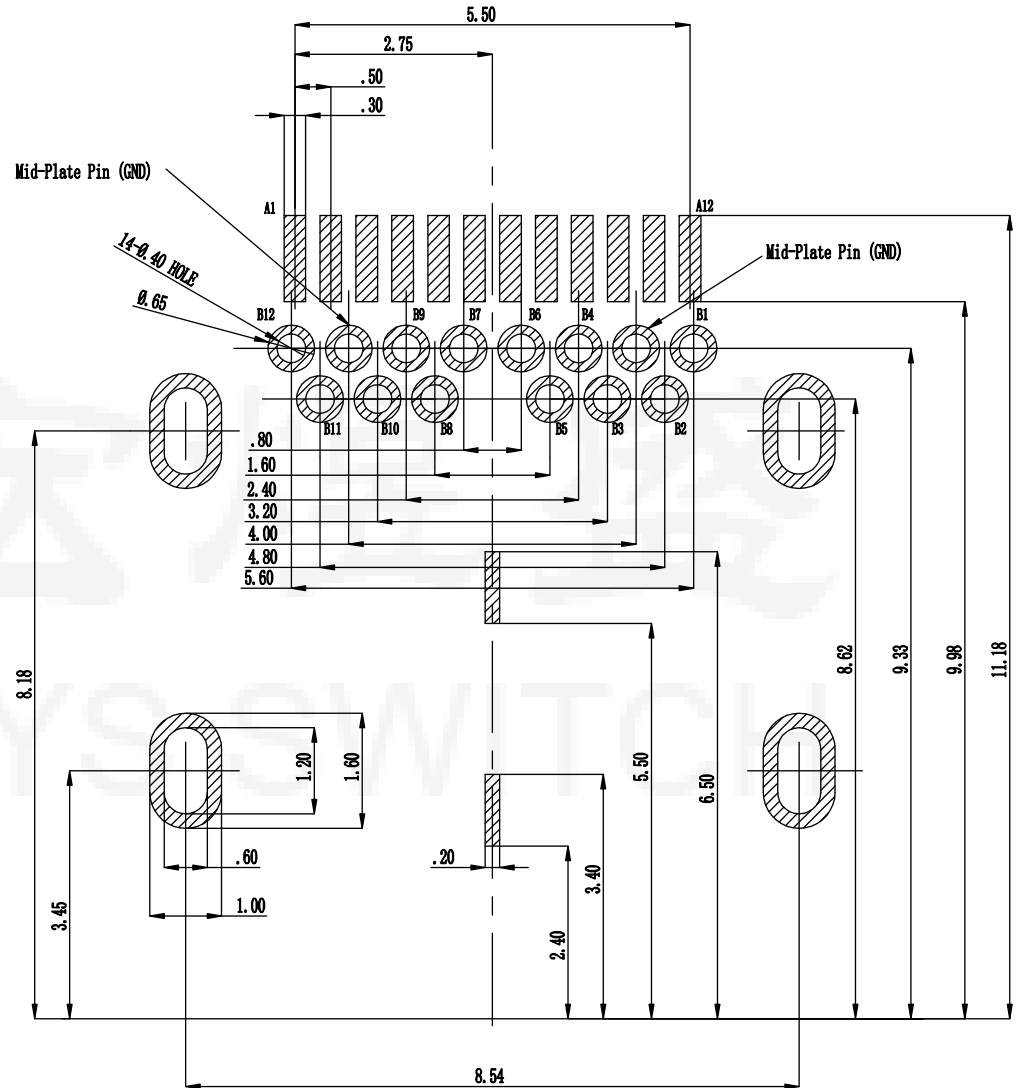


东莞市宏煜盛实业有限公司
Dongguan hongyusheng Industry Co., Ltd
TEL: 0769-81230179 <https://www.hystypec.com>

ROHS
Compatible

USB TYPE-C PIN ASSIGNMENTS

PIN NUMBER	SIGNAL NAME	PIN NUMBER	SIGNAL NAME
A 1	GND	B 12	GND
A 2	SSTXp 1	B 11	SSRXp 1
A 3	SSTXn 1	B 10	SSRXn 1
A 4	V BUS	B 9	V bus
A 5	CC 1	B 8	SBU 2
A 6	Dp 1	B 7	Dn 2
A 7	Dn 1	B 6	Dp 2
A 8	SBU 1	B 5	CC 2
A 9	V BUS	B 4	V bus
A 10	SSRXn 2	B 3	SSTXn 2
A 11	SSRXp 2	B 2	SSTXp 2
A 12	GND	B 1	GND



Recommended PCB LAYOUT
TOLANCE ± 0.05
PCB Tinkness = 1.0 For 1.50 Solder tail
1.6 For 1.90 Solder tail

DESIGN	Li Jinwei	SCALL	
DRAWING	Wu Qifa	UNIT	mm
CHECK	Zheng Jinxian	SIZE	A4: 210 * 297
APPROVAL	Liu Xiaohong	DATE	2020-06-10

TOLERANCE	
X.X	± 0.30 X. $^{\circ} \pm 2^{\circ}$
.XX	± 0.20 .X. $^{\circ} \pm 1^{\circ}$
.XXX	± 0.10 .XX. $^{\circ} \pm 0.5^{\circ}$

DRAWG NO.	TYPE-C-DST24P1133
TITLE:	24P板上型四脚插板DIP+SMT带弹 11.33L


东莞市宏煜盛实业有限公司
 Dongguan hongyusheng Industry Co., Ltd
 TEL: 0769-81230179 <https://www.hystypec.com>