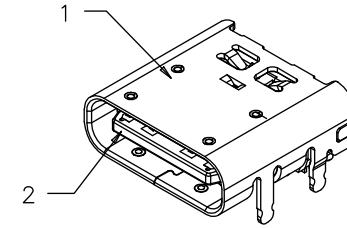
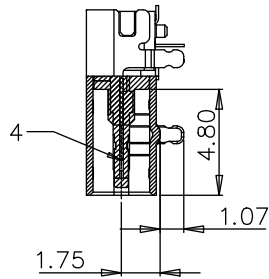
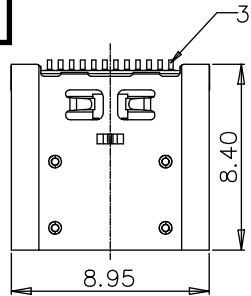


ROHS
Compatible



NOTES:

1. Electrical characteristics:

1-1. Contact current rating:

A current of 5.0A shall be applied collectively to VBUS pins and 1.25A applied to the VCONN pin with the return path through the corresponding GND pins.

A MIN 0.25A shall be applied individually to all other contacts.

1-2. Contact resistance:

40 Milliohms (MAX) initial for VBUS, GND and all other contacts.

Maximum change (delta) of +10 Milliohms after environmental stresses.

1-3. Dielectric withstanding voltage : 100 V AC MIN (RMS).

1-4. Insulation resistance: 100 MEGOHMS MIN.

2. Mechanical characteristics:

2-1. Connector insertion force: 5~20N at a maximum rate of 12.5mm per minute.

2-2. Connector extraction force: 8~20N up to 1000 mating cycles, and 6~20N

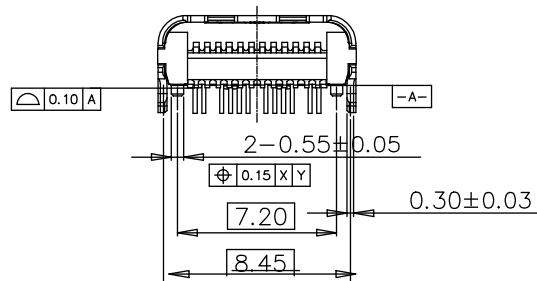
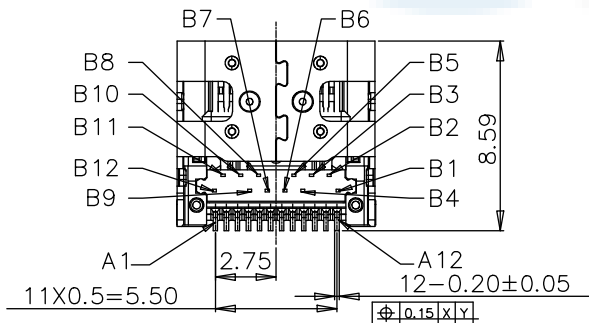
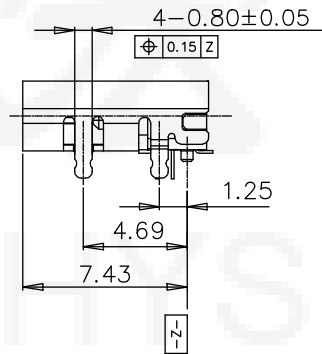
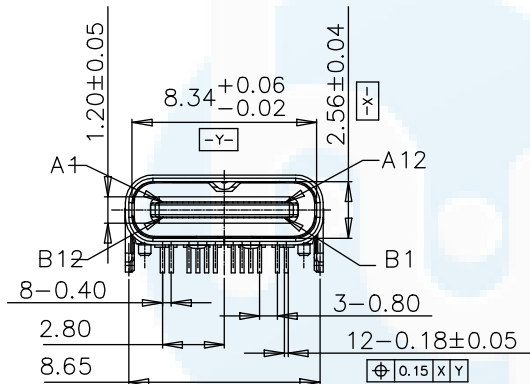
after the specified insertion/extraction or durability cycles at a maximum

rate of 12.5mm per minute

2-3. Durability: 10000 cycles minimum.

2-4. Operating temperature: -55°C TO +85°C

3. The connector is Rohs compliant and halogen free compliant.



Item	Description	QTY.	Material	Finish
4	Shield plate	1	Stainless stell	Clean
3	Contact	24	Copper Alloy	Ni underplating overall, gold plating at contact area and termination.
2	Housing	1	Thermo Plastic, UL94V-0	Molded Color: Black
1	Shell	1	Stainless stell	Ni plating overall, tab with gold flash

DESIGN	Li Jinwei	SCALL	
DRAWING	Wu Qifa	UNIT	mm
CHECK	Zheng Jinxian	SIZE	A4: 210 * 297
APPROVAL	Liu Xiaohong	DATE	2020-06-10

TOLERANCE	
X.X ±0.30	X.°±2°
.XX ±0.20	.X°±1°
.XXX ±0.10	.XX°±0.5°

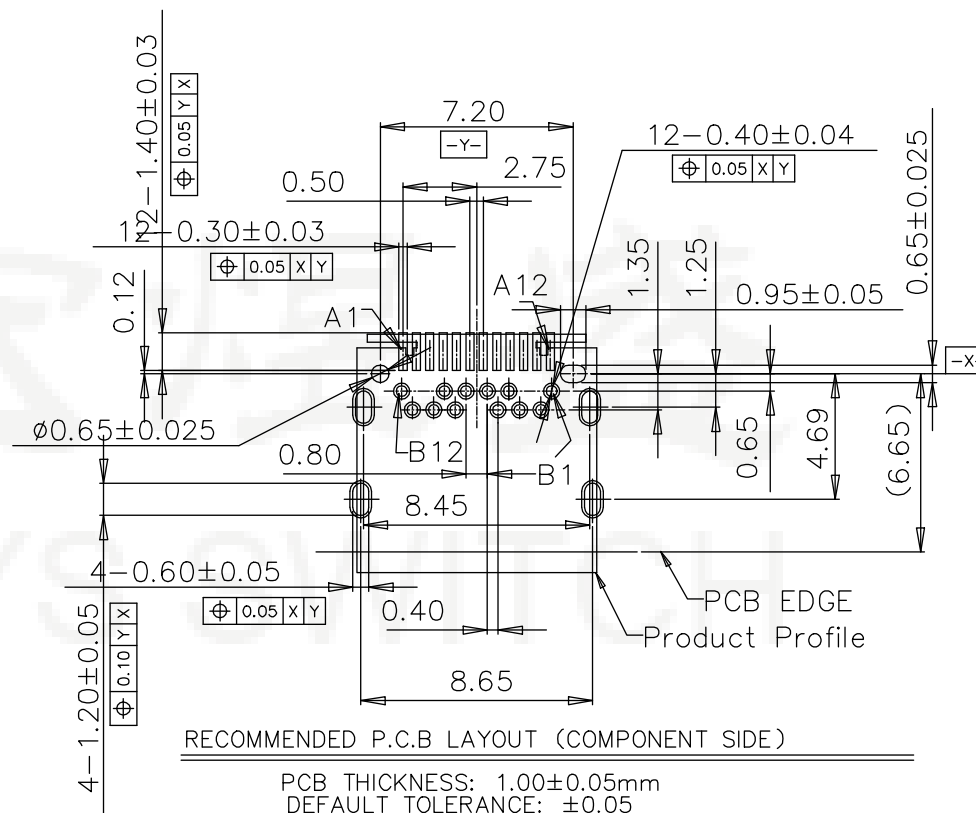
DRAWG NO.	TYPE-C-DS24PZ840
TITLE:	24P板上型四脚插板DIP+SMT 8.4L

东莞市宏煜盛实业有限公司
Dongguan hongyusheng Industry Co., Ltd
TEL: 0769-81230179 <https://www.hystypec.com>

ROHS
Compatible

USB TYPE-C PIN ASSIGNMENTS

PIN NUMBER	SIGNAL NAME	PIN NUMBER	SIGNAL NAME
A1	GND	B12	GND
A2	SSTXp1	B11	SSRXp1
A3	SSTXn1	B10	SSRXn1
A4	V _{BUS}	B9	V _{BUS}
A5	CC1	B8	SBU2
A6	Dp1	B7	Dn2
A7	Dn1	B6	Dp2
A8	SBU1	B5	CC2
A9	V _{BUS}	B4	V _{BUS}
A10	SSRXn2	B3	SSTXn2
A11	SSRXp2	B2	SSTXp2
A12	GND	B1	GND



DESIGN	Li Jinwei	SCALL	
DRAWING	Wu Qifa	UNIT	mm
CHECK	Zheng Jinxian	SIZE	A4: 210 * 297
APPROVAL	Liu Xiaohong	DATE	2020-06-10

TOLERANCE	
X.X ±0.30	X.°±2°
.XX ±0.20	.X°±1°
.XXX ±0.10	.XX°±0.5°

DRAWG NO.	TYPE-C-DS24PZ840
TITLE:	24P板上型四脚插板DIP+SMT 8.4L

东莞市宏煜盛实业有限公司
Dongguan hongyusheng Industry Co., Ltd
TEL: 0769-81230179 <https://www.hystypec.com>