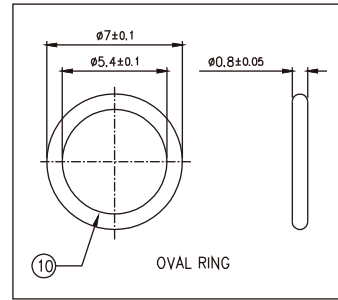
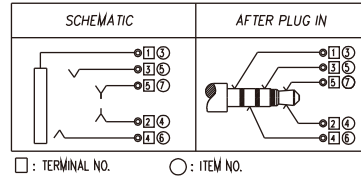
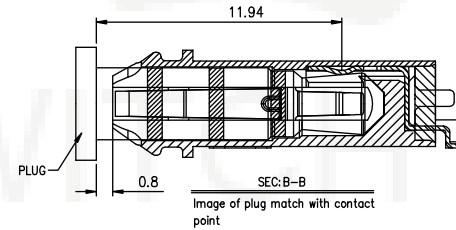
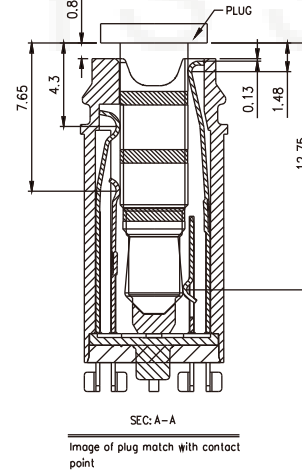
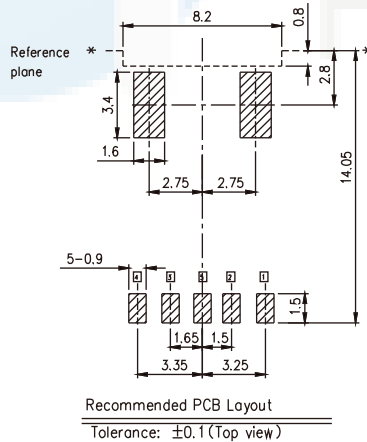
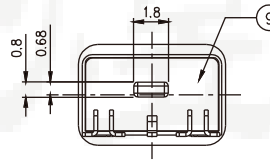
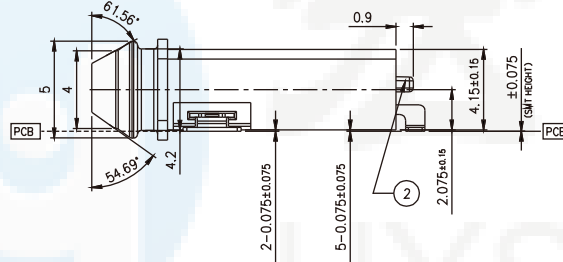
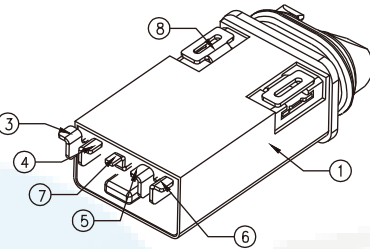
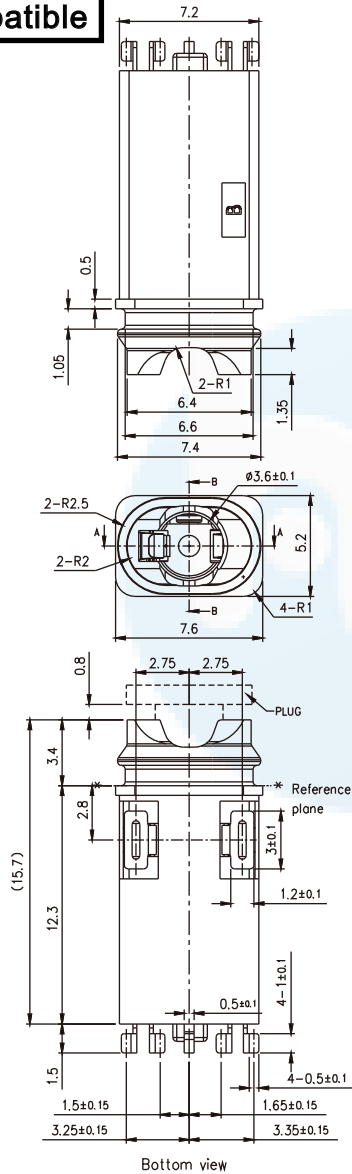


**ROHS**  
Compatible



- SPECIFICATIONS:
- INSULATION RESISTANCE: A VOLTAGE OF 500V D.C. SHALL BE APPLIED TO THE TERMINALS, AFTER WHICH MEASUREMENT SHALL BE MADE. A GAUGE FOR THE MEASUREMENT SHALL BE USED THE INSULATED GAUGE.
  - CONTACT RESISTANCE: 30mΩ OR LESS
  - VOLTAGE PROOF: 500V AC FOR ONE MINUTE
  - DURABILITY: 10,000 INSERTION/REMOVAL CYCLES(MINIMUM)
  - INSETION FORCE: 0.4KGF~2.0KGF
  - WITHDRAWAL FORCE: 0.4KGF~2.0KGF
  - WATER PROOFNESS: THIS PRODUCT IS CONFORM TO JIS STANDARD IPX7 BY WATERPROOF JACK
  - USING PLUG:  $\phi 3.5\text{MM}$ , 4-POLE STEREO EARPHONE(LCH/RCH/GND/MIC) PROVIDED THAT THEY CONFORM TO JIS C6560
  - OVAL RING
    - Hardness of silicone rubber: 70°
    - Horizontal flash 0.10mm max; Longitudinal flash 0.10mm max



ITEM	PART NAME	TERMINAL	QTY	MATERIAL	REMARK
⑩	OVAL RING	----	1	SILICONE	BLUE
⑨	BOND	----	1	----	----
⑧	TERMINAL	----	2	C2680 t=0.2	1st: Ni(1 $\mu\text{m}$ or more), 2nd: Sn(2 $\mu\text{m}$ or more) PLATED
⑦	TIP SPRING-2	⑤	1	Ti-Cu t=0.2	1st: Ni(1 $\mu\text{m}$ or more), 2nd: Au(MIN 0.03 $\mu\text{m}$ or more) PLATED
⑥	RING SPRING-2	④	1	Ti-Cu t=0.2	1st: Ni(1 $\mu\text{m}$ or more), 2nd: Au(MIN 0.03 $\mu\text{m}$ or more) PLATED
⑤	RING SPRING-1	③	1	Ti-Cu t=0.2	1st: Ni(1 $\mu\text{m}$ or more), 2nd: Au(MIN 0.03 $\mu\text{m}$ or more) PLATED
④	TIP SPRING-1	②	1	Ti-Cu t=0.2	1st: Ni(1 $\mu\text{m}$ or more), 2nd: Au(MIN 0.03 $\mu\text{m}$ or more) PLATED
③	EARTH SPRING	①	1	Ti-Cu t=0.2	1st: Ni(1 $\mu\text{m}$ or more), 2nd: Au(MIN 0.03 $\mu\text{m}$ or more) PLATED
②	COVER	----	1	PA9T (BLACK)	UL 94V-0
①	HOUSING	----	1	PA9T (BLACK)	UL 94V-0

DESIGN	Li Jinwei	SCALL	
DRAWING	Wu Qifa	UNIT	mm
CHECK	Zheng Jinxian	SIZE	A4: 210 * 297
APPROVAL	Liu Xiaohong	DATE	2020-06-10

TOLERANCE	
.X.X $\pm 0.30$	X. $^{\circ}$ $\pm 2^{\circ}$
.XX $\pm 0.20$	.X $^{\circ}$ $\pm 1^{\circ}$
.XXX $\pm 0.10$	.XX $^{\circ}$ $\pm 0.5^{\circ}$

DRAWG NO.	PJ-429
TITLE:	3.5mm防水耳机插座 IPX7

**东莞市宏煜盛实业有限公司**  
Dongguan hongyusheng Industry Co., Ltd  
TEL: 0769-81230179 <https://www.hystypec.com>