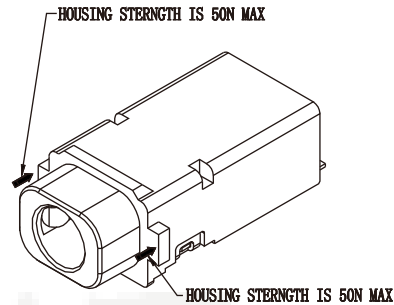
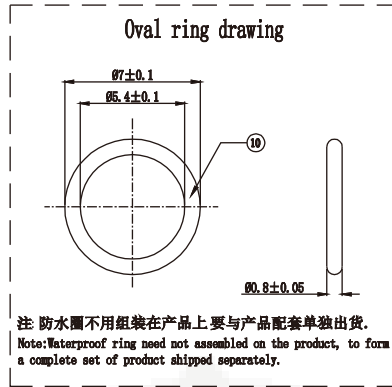
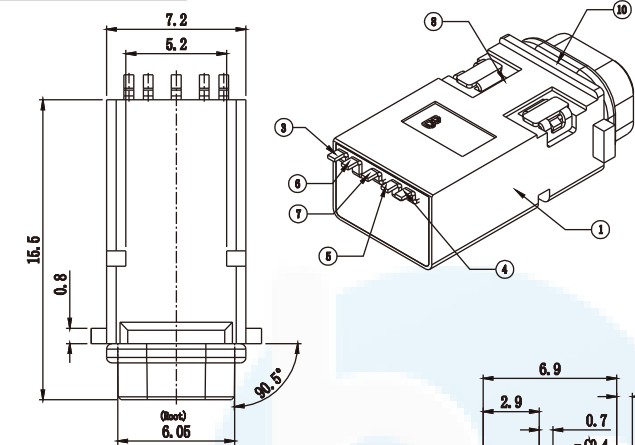
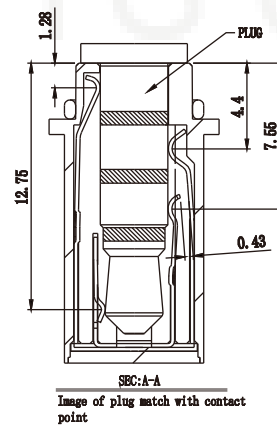
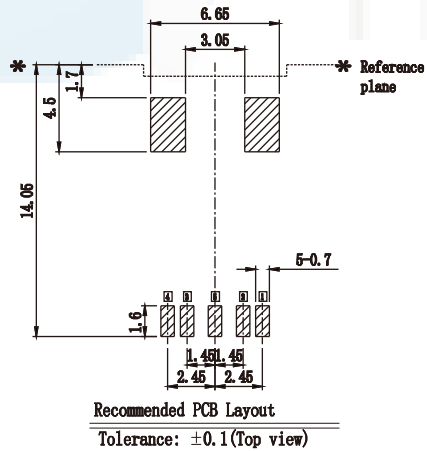
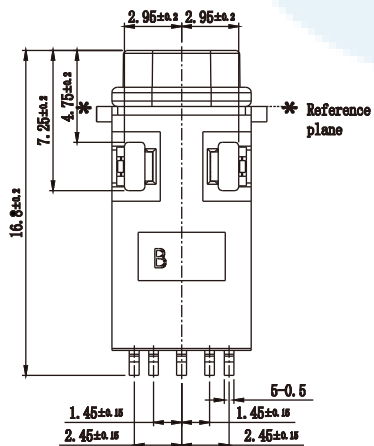
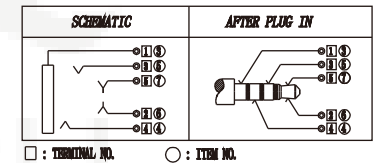
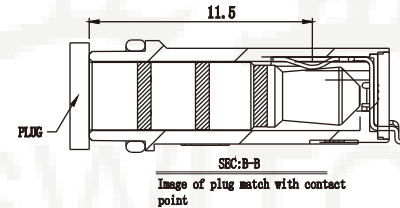
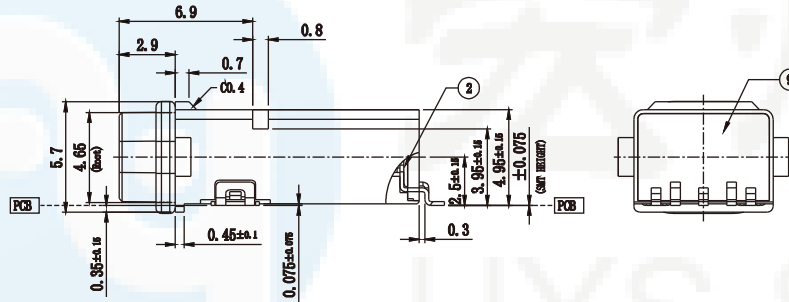
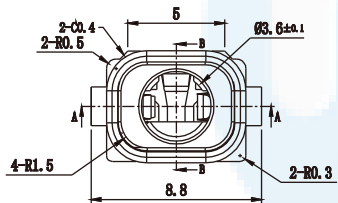


**ROHS**  
Compatible



- SPCIFICATIONS:
1. RATED VOLTAGE: DC 12V  
RATED CURRENT: 1A
  2. INSULATION RESISTANCE: A VOLTAGE OF 500V D.C. SHALL BE APPLIED TO THE TERMINALS, AFTER WHICH MEASUREMENT SHALL BE MADE. A GAUGE FOR THE MEASUREMENT SHALL BE USED THE INSULATED GAUGE.
  3. CONTACT RESISTANCE: 30mΩ OR LESS
  4. VOLTAGE PROOF: 500V AC FOR ONE MINUTE
  5. DURABILITY: 5,000 INSERTION/REMOVAL CYCLES (MINIMUM)
  6. INSERTION FORCE: 0.6KGF\*2.0KGF
  7. WITHDRAWAL FORCE: 0.6KGF\*2.0KGF
  8. WATER PROOFNESS: This product is based on IPX5/7 of the JIS Standard.
  9. USING PLUG: φ3.5MM, 4-POLE STEREO EARPHONE (LCH/RCH/GND/MIC)  
PROVIDED THAT THEY CONFORM TO JIS C6560
  10. HOUSING STERNGTH IS 50N MAX



⑩	Oval ring	—	1	SILICONE	—
⑨	BOND	—	1	EPOXY	—
⑧	TERMINAL	—	2	C2680 t=0.2	Gold flash plating Nickel 40u"min underplate
⑦	TIP SPRING-2	⑤	1	Ti-Cu t=0.2	
⑥	TIP SPRING-1	②	1	Ti-Cu t=0.2	
⑤	RING SPRING-2	③	1	Ti-Cu t=0.2	
④	RING SPRING-1	④	1	Ti-Cu t=0.2	
③	EARTH SPRING	①	1	Ti-Cu t=0.2	UL-94V-0
②	COVER	—	1	PA9T+33%GF (GN2330)	
①	HOUSING	—	1	PA9T+33%GF (GN2330)	UL-94V-0
ITEM	PART NAME	TERMINAL	QTY	MATERIAL	REMARK

DESIGN	Li Jinwei	SCALL		 TOLERANCE X.X ±0.30 X.°±2° .XX ±0.20 .X°±1° .XXX ±0.10 .XX°±0.5°
DRAWING	Wu Qifa	UNIT	mm	
CHECK	Zheng Jinxian	SIZE	A4: 210 * 297	
APPROVAL	Liu Xiaohong	DATE	2020-06-10	

DRAWG NO.	PJ-430
TITLE:	防水耳机插座 IPX7

**东莞市宏煜盛实业有限公司**  
Dongguan hongyusheng Industry Co., Ltd  
TEL: 0769-81230179 <https://www.hystypec.com>