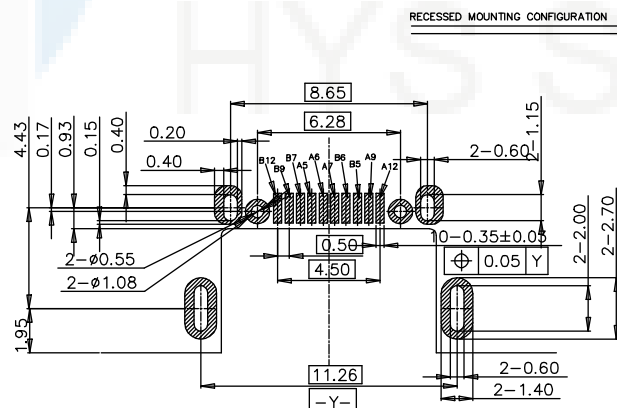
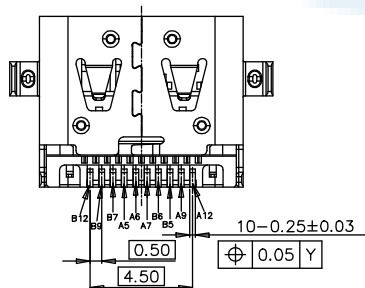
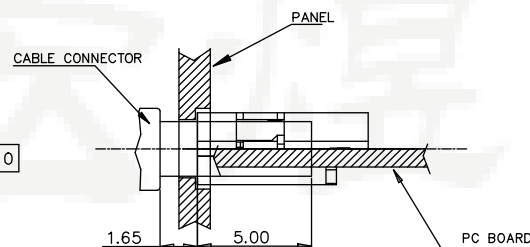
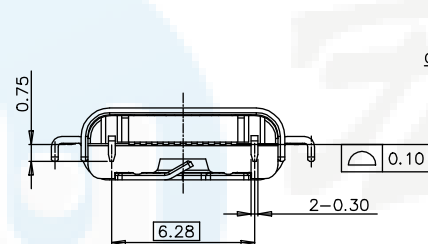
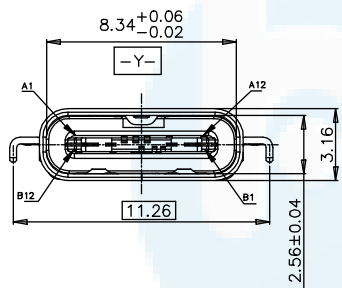
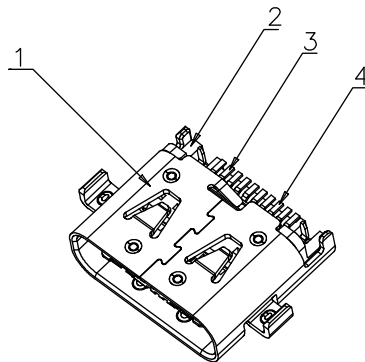
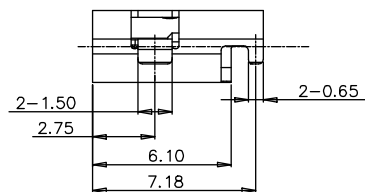
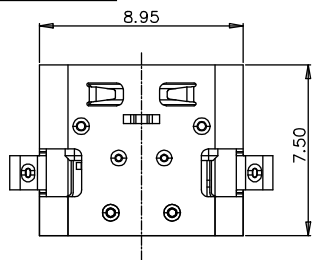


ROHS
Compatible



RECOMMENDED P.C.B LAYOUT (COMPONENT SIDE)

PCB THICKNESS: 0.80±0.05mm
DEFAULT TOLERANCE: ±0.05

NOTES:

- Electrical characteristics:
 - Contact current rating:
A current of 3.0A shall be applied collectively to VBUS pins and 1.25A applied to the VCONN pin with the return path through the corresponding GND pins.
A MIN 0.25A shall be applied individually to all other contacts.
 - Contact resistance:
40 Milliohms (MAX) initial for VBUS, GND and all other contacts.
Maximum change (delta) of +10 Milliohms after environmental stresses.
 - Dielectric withstanding voltage : 100 V AC MIN (RMS).
 - Insulation resistance: 100 MEGOHMS MIN.
- Mechanical characteristics:
 - Connector insertion force: 5~20N at a maximum rate of 12.5mm per minute.
 - Connector extraction force: 8~20N up to 1000 mating cycles, and 3.5N Min. after the specified insertion/extraction or durability cycles at a maximum rate of 12.5mm per minute.
 - Durability: 10000 cycles minimum.
 - Operating temperature: -55°C TO +85°C
- The connector is rohs compliant and halogen free compliant.

PIN ASSIGNMENT			
Pin No.	Signal Name	Pin No.	Signal Name
A1		B12	GND
A2		B11	
A3		B10	
A4		B9	VBUS
A5	CC1	B8	
A6	D+	B7	D-
A7	D-	B6	D+
A8		B5	CC2
A9	VBUS	B4	
A10		B3	
A11		B2	
A12	GND	B1	

4	Lower contact	5	Copper Alloy	Ni underplating overall, gold plating at contact area, gold plating at termination.
3	Upper contact	5	Copper Alloy	Ni underplating overall, gold plating at contact area, gold plating at termination.
2	Inner IM	1	Thermo Plastic, UL94V-0	Molded Color: Black
1	Outer shell	1	Stainless steel	Ni plating overall, tab with gold flash
Item	Description	QTY.	Material	Finish

DESIGN	Li Jinwei	SCALL		 TOLERANCE X.X ±0.30 X.°±2° .XX ±0.20 .X°±1° .XXX ±0.10 .XX°±0.5°
DRAWING	Wu Qifa	UNIT	mm	
CHECK	Zheng Jinxian	SIZE	A4: 210 * 297	
APPROVAL	Liu Xiaohong	DATE	2020-06-10	

DRAWG NO. TYPE-C-CDST10P160
TITLE: 10P 沉板1.6四脚插板SMT 7.5L

东莞市宏煜盛实业有限公司
 Dongguan hongyusheng Industry Co., Ltd
 TEL: 0769-81230179 <https://www.hystypec.com>