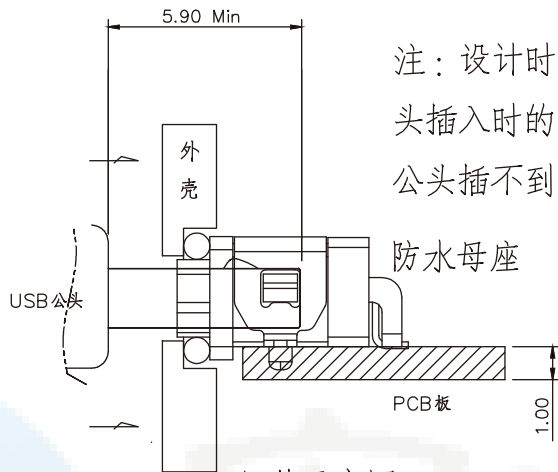
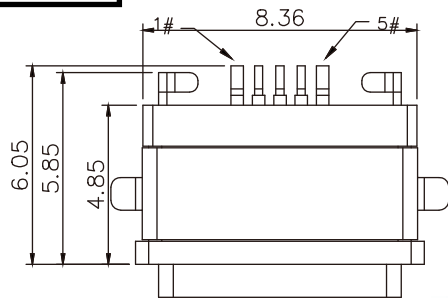
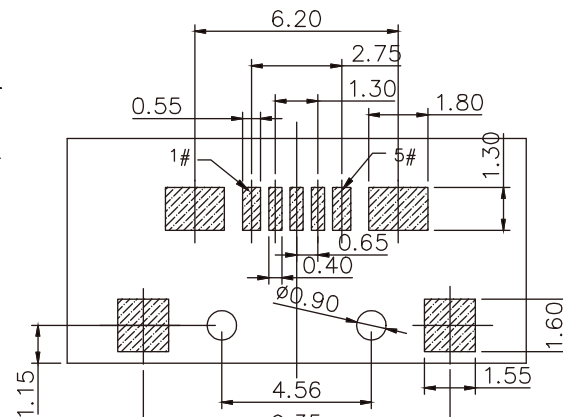


ROHS
Compatible



注：设计时，请注意公头插入时的距离，防止公头插不到底。

组装示意图

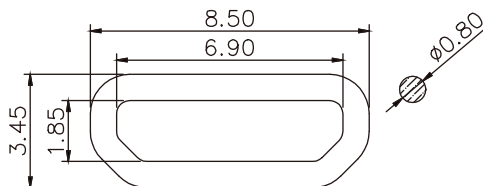
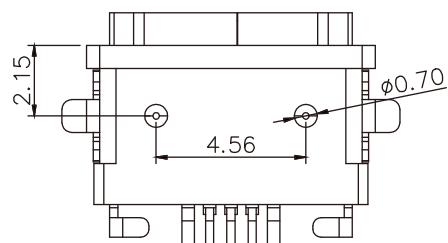
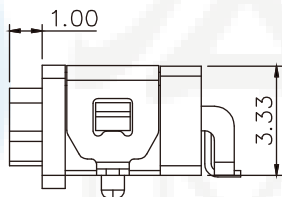
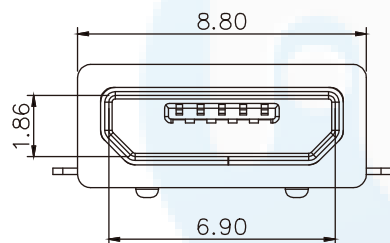


RECOMMENDED PCB LAYOUT (TOP VIEW)

THICKNESS T=1.0mm

DEFAULT TOLERANCE +/- 0.05

Contact Number	Signal Name	Remarks
1#	VBUS	Power
2#	D-	Date-
3#	D+	Date+
4#	ID	Reserve or Gound
5#	GND	Gound



注：防水圈是圆形截面，直径为0.8mm的硅胶圈
防水圈挤压力，由0.8mm挤压力到0.4mm ~ 0.5mm，防水效果好

SPECIFICATIONS:

- ELECTRICAL CHARACTERISTICS:
 - RATING: 3A (PIN1&5), 0.5A (PIN2&3&4);
 - CONTACT RESISTANCE: 30 mΩ MAX. (INITIAL);
 - DIELECTRIC WITHSTANDING: 500V AC MIN.;
 - INSULATION RESISTANCE: 1000MΩ MIN.;
- DURABILITY: 5,000 CYCLES MIN.;
- INSERTION FORCE: 3.5Kgf (35N) Max.;
- EXTRACTION FORCE: 0.8Kgf (8N) Min.;
- WATER PROOFNESS: THIS PRODUCT IS BASED ON IPX8
- PLUG INTERFACE DIMENSIONS CONFORM TO USB2.0 SPEC.
- PACKAGING: TAPE & REEL.

3	Shell	1	SUS304R-1/2H Ni Plating T=0.25mm	
2	Contact	5	Phosphor bronze C5191R-EH Au/Ni Plating T=0.20mm	
1	Housing	1	PA10T (G.F30%)	
ITEM	PARTNAME	Q'TY	FINISH	NOTE

DESIGN	Li Jinwei	SCALL	
DRAWING	Wu Qifa	UNIT	mm
CHECK	Zheng Jinxian	SIZE	A4: 210 * 297
APPROVAL	Liu Xiaohong	DATE	2020-06-10

TOLERANCE	
X.X ±0.30	X.°±2°
.XX ±0.20	.X°±1°
.XXX ±0.10	.XX°±0.5°

DRAWG NO.	USB-M-S70FZ
TITLE:	短头全贴板上型 IPX8带防水胶圈



东莞市宏煜盛实业有限公司
Dongguan hongyusheng Industry Co., Ltd
TEL: 0769-81230179 <https://www.hystypec.com>