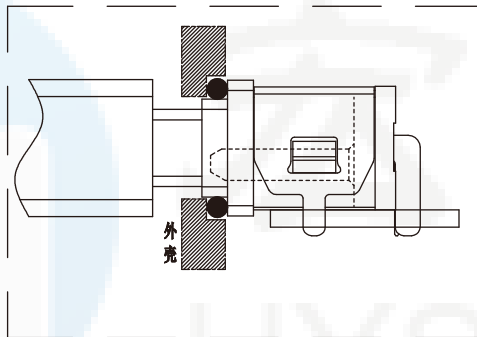
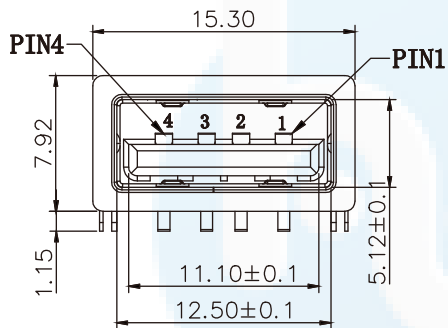
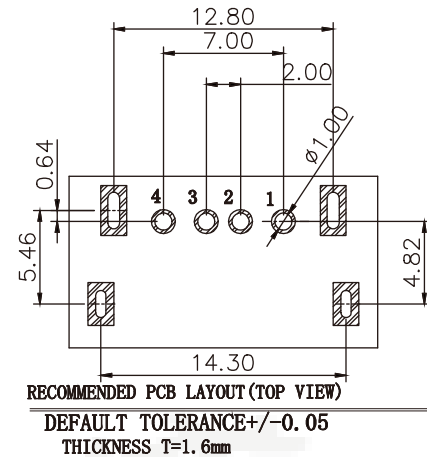
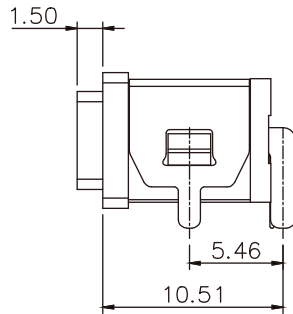
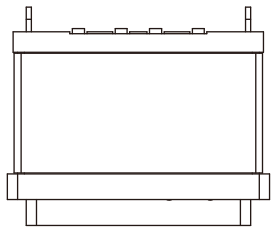


ROHS
Compatible



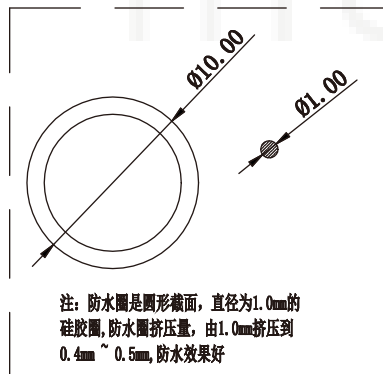
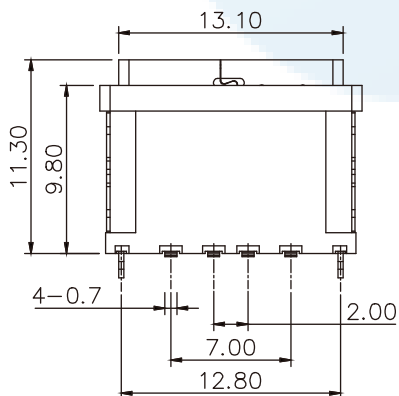
PIN ASSIGNMENT

PIN NO.	1	2	3	4
SIGNAL NAME	VBUS	D-	D+	GND

NOTES:

SPECIFICATION:

- CURRENT RATING: 3.0A MAX
- DIELECTRIC WITHSTAND VOLTAGE: 100VAC
- TEMPERATURE RANGE: $-30^{\circ}\text{C} \sim 85^{\circ}\text{C}$
- CONTACT RESISTANCE: 40 MILLIONHM MAX
- INSULATION RESISTANCE: 100 MEGOHMS MIN.
- INSERTION FORCE :8N~35N
- UNMATING FORCE: 8N~35N
- DURABILITY:1500 CYCLES



3	Shell	1	SUS 301 1/4H
3	PLASTIC Shell	1	PA9T&LCP (G.F30%)
2	Contact	4	BRASS C2680-EH Au/Ni Plating T=0.25mm
1	Housing	1	PA10T (G.F30%)
TEM	PART NAME	Q'TY	FINISH

DESIGN	Li Jinwei	SCALL	
DRAWING	Wu Qifa	UNIT	mm
CHECK	Zheng Jinxian	SIZE	A4: 210 * 297
APPROVAL	Liu Xiaohong	DATE	2020-06-10

TOLERANCE	
X.X ± 0.30	X. $^{\circ} \pm 2^{\circ}$
.XX ± 0.20	.X $^{\circ} \pm 1^{\circ}$
.XXX ± 0.10	.XX $^{\circ} \pm 0.5^{\circ}$

DRAWG NO:	USB-U-D74F
TITLE:	反向电路板上型 配防水圈 IPX8



东莞市宏煜盛实业有限公司
Dongguan hongyusheng Industry Co., Ltd
TEL: 0769-81230179 <https://www.hystypec.com>