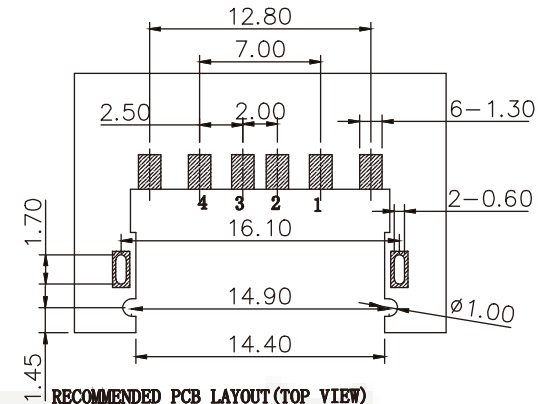
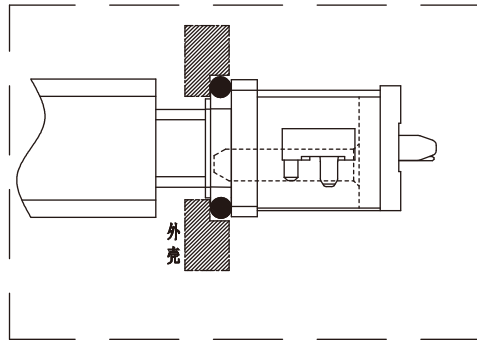
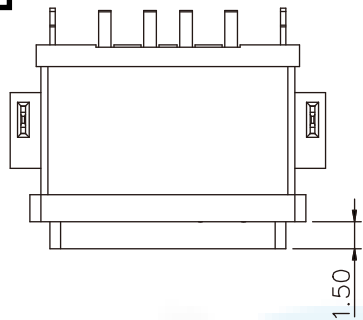


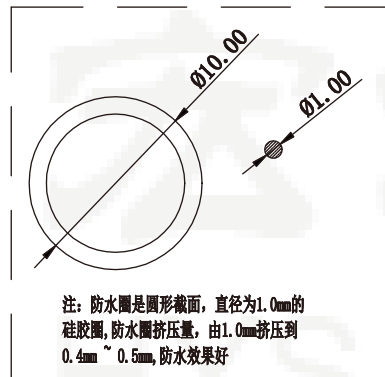
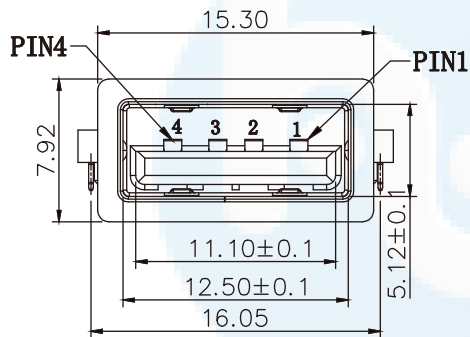
ROHS
Compatible



RECOMMENDED PCB LAYOUT (TOP VIEW)
DEFAULT TOLERANCE ± 0.05
THICKNESS T=1.2mm

PIN ASSIGNMENT

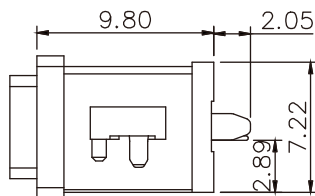
PIN NO.	1	2	3	4
SIGNAL NAME	VBUS	D-	D+	GND



注：防水圈是圆形截面，直径为1.0mm的硅胶圈，防水圈挤压力，由1.0mm挤压力到0.4mm~0.5mm，防水效果好

NOTES:
SPECIFICATION:

- CURRENT RATING: 3.0A MAX
- DIELECTRIC WITHSTAND VOLTAGE: 100VAC
- TEMPERATURE RANGE: $-30^{\circ}\text{C} \sim 85^{\circ}\text{C}$
- CONTACT RESISTANCE: 40 MILLIONHM MAX
- INSULATION RESISTANCE: 100 MEGOHMS MIN.
- INSERTION FORCE :8N~35N
- UNMATING FORCE: 8N~35N
- DURABILITY:1500 CYCLES



3	Shell	1	SUS 301 1/4H
3	PLASTIC Shell	1	PA9T&LCP (G.F30%)
2	Contact	4	BRASS C2680-EH Au/Ni Plating T=0.25mm
1	Housing	1	PA10T (G.F30%)
ITEM	PART NAME	Q'TY	FINISH

DESIGN	Li Jinwei	SCALL		 TOLERANCE X.X ± 0.30 X. $^{\circ} \pm 2^{\circ}$.XX ± 0.20 .X $^{\circ} \pm 1^{\circ}$.XXX ± 0.10 .XX $^{\circ} \pm 0.5^{\circ}$
DRAWING	Wu Qifa	UNIT	mm	
CHECK	Zheng Jinxian	SIZE	A4: 210 * 297	
APPROVAL	Liu Xiaohong	DATE	2020-06-10	

DRAWG NO. USB-U-LD75F
TITLE: 沉板2.88 IPX8 配防水圈

东莞市宏煜盛实业有限公司
Dongguan hongyusheng Industry Co., Ltd
TEL: 0769-81230179 <https://www.hystypec.com>