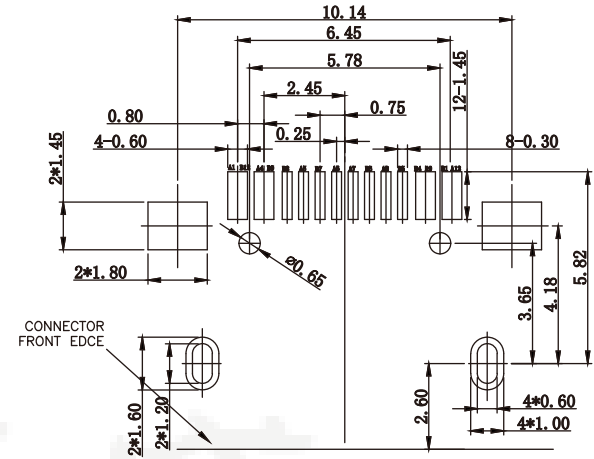
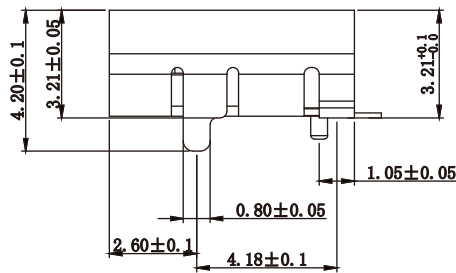
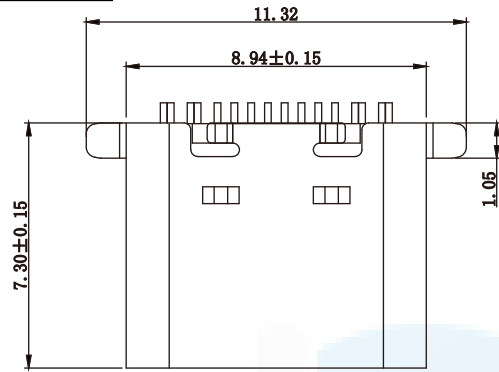
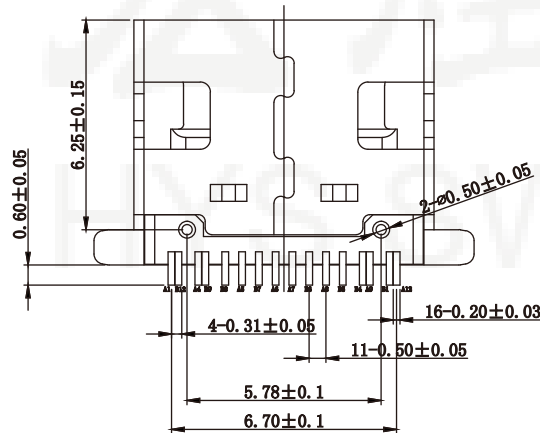
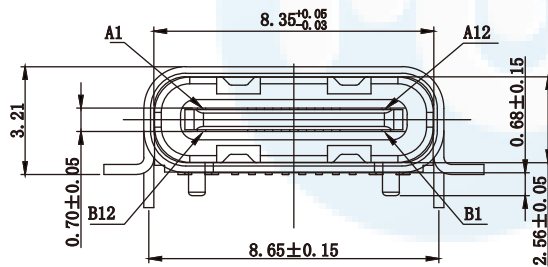


ROHS
Compatible



RECOMMENDED P.C.B. LAYOUT
TOLERANCE UNSPECIFIED ±0.05mm



A1	GND	B12	GND
A4	VBUS	B9	VBUS
A5	CC1	B8	SBU2
A6	DP1	B7	DN2
A7	DN1	B6	DP2
A8	SBU1	B5	CC2
A9	VBUS	B4	VBUS
A12	GND	B1	GND
PIN	SIGNAL NAME	PIN	SIGNAL NAME

备注:

电气特性:Electrical:

1. 额定电流: 3A MIN ROR VBUS
0.25A MIN FOR OTHER
2. 接触阻抗: 40 milliohms MAX
3. 绝缘阻抗: 100MEGA ohms MIN
4. 耐压测试: 250V AC
5. 插拔力: Mate force: 2.0kgf (MAX)
Unmate force: 0.8kgf (MIN)
6. 使用寿命: 10000次
7. 工作温度: -55 °C ~ 85 °C

原材料:Material:

1. 塑胶: LCP+30%G. F UL94V-0
2. 端子: Copper Alloy C5191
3. 外壳: 不锈钢 T=0.30mm

DESIGN	Li Jinwei	SCALL	
DRAWING	Wu Qifa	UNIT	mm
CHECK	Zheng Jinxian	SIZE	A4: 210 * 297
APPROVAL	Liu Xiaohong	DATE	2020-06-10

TOLERANCE	
X.X ±0.30	X.° ± 2°
.XX ±0.20	.X° ± 1°
.XXX ±0.10	.XX° ±0.5°

DRAWG NO.	TYPE-C-DS16PZ735
TITLE:	单排16P贴片 四脚前插后贴带柱

东莞市宏煜盛实业有限公司
 Dongguan hongyusheng Industry Co., Ltd
 TEL: 0769-81230179 <https://www.hystypec.com>