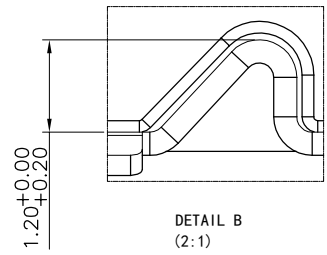
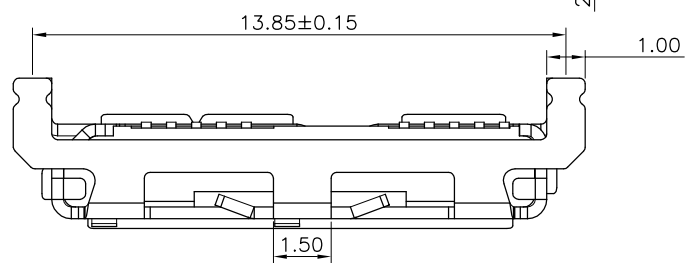
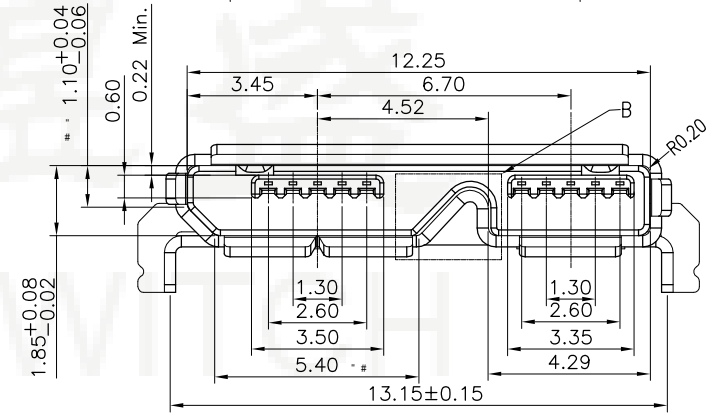
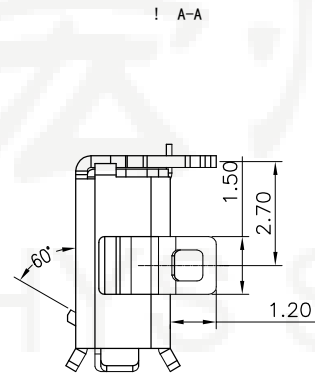
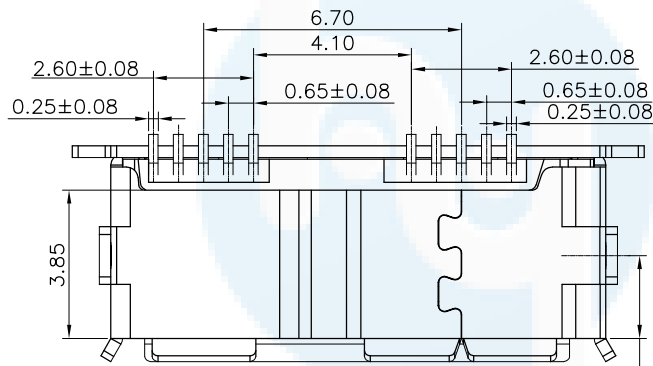
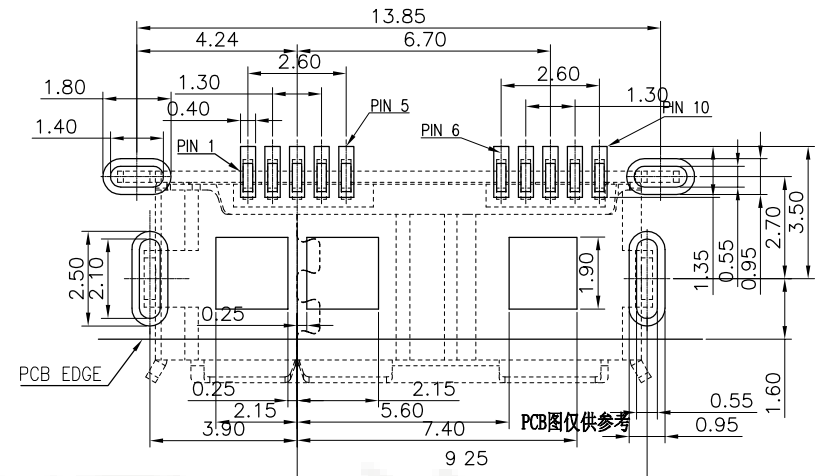
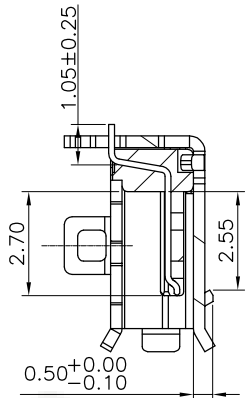
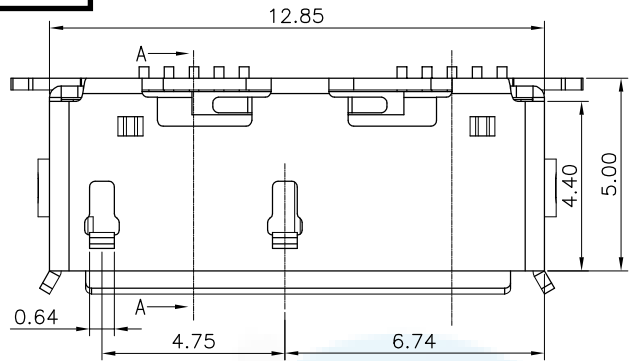


**ROHS**  
Compatible



Note:

- 1.Material:  
 1.1 Housing: LCP High temperature thermoplastic with g.f,UL94v-0  
 1.2 Contact: copper alloy,t=0.15mm  
 1.3 Shell: SUS304,t=0.30mm
- 2.Specification:  
 2.1 Current rating: 1.8 A Max.  
 2.2 Dielectric withstanding voltage: 100 V(ac) for 1 min.  
 2.3 Contact resistance: 30 mΩ Max.  
 2.4 Insulation resistance: 100 MΩ Min.  
 2.5 Total mating force: 3.50 Kgf Max.  
 2.6 Total unmating force: 1.0 Kgf Min.  
 2.7 Temperature range: -25°C~85°C

Pin No.	Signal Name	Description	Mating Sequence
1	VBUS	Power	Second
2	D-	USB 2.0 differential pair	Last
3	D+		
4	ID	OTG identification	
5	GND	Ground for power return	Second
6	MicA_SSTX-	SuperSpeed transmitter differential pair	Last
7	MicA_SSTX+		
8	GND_DRAIN	Ground for SuperSpeed signal return	Second
9	MicA_SSRX-	SuperSpeed receiver differential pair	Last
10	MicA_SSRX+		
Shell	Shield	Connector metal shell	First

DESIGN	Li Jinwei	SCALL		 TOLERANCE .x 0.15 .xxx 0.05 .xx 0.10 Ang. 1°
DRAWING	Wu Qifa	UNIT	mm	
CHECK	Zheng Jinxian	SIZE	A4: 210 * 297	
APPROVAL	Liu Xiaohong	DATE	2020-06-10	

DRAWG NO. USB-M-DS20Q  
 TITLE: 3.0 DIP四脚全插

**东莞市宏煜盛实业有限公司**  
 Dongguan hongyusheng Industry Co., Ltd  
 TEL: 0769-81230179 <https://www.hystypec.com>