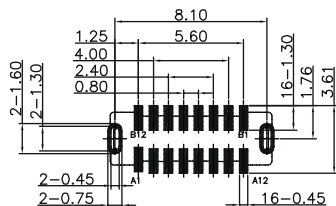
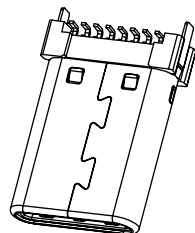
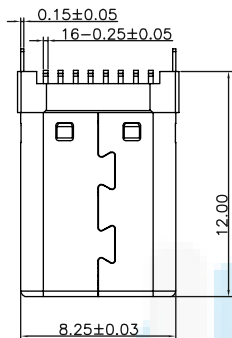
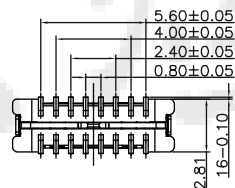
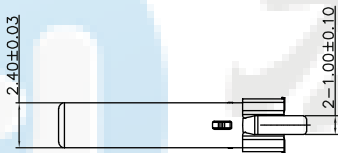
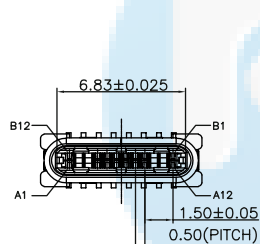


ROHS
Compatible

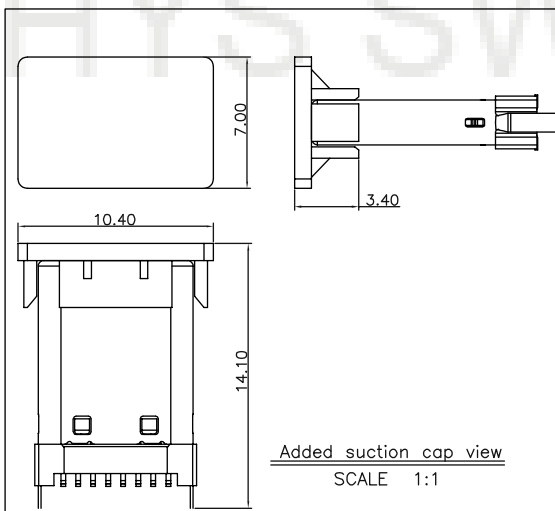
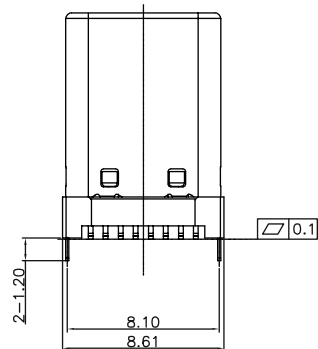


RECOMMENDED PCB LAYOUT($t=0.80\pm0.05$)
COMPONENT SIDE(GENERAL TOLERANCE: ±0.05)

- NOTE:
- MATERIAL SPECIFICATION:
 - MOLDING&CAP: HIGH TEMPERATURE MATERIAL(LCP).
 - HOUSING: HIGH TEMPERATURE MATERIAL(PA9T)
 - CONTACTS: COPPER ALLOY(C5191,T=0.15)
 - LATCH: STAINLESS STEEL(SUS301,T=0.30)
 - SHELL: STAINLESS STEEL(SUS304,T=0.15)
 - EMI SPRING: STAINLESS STEEL(SUS304,T=0.10)
 - PLATING SPECIFICATION:
 - CONTACTS:
 - Ni 50u" MIN.UNDER PLATED OVER ALL.
 - Au 1u" PLATED ON THE FUNCTIONAL AREA OF CONTACT.Sn50u" MIN. PLATED ON SOLDER AREA.
 - SHELL:
 - Ni 30u" MIN. UNDER PLATED OVER ALL.
 - LATCH:
 - CLEAR ONLY
 - EMI SPRING:
 - CLEAR ONLY
 - MECHANICAL PERFORMANCE,
 - INSERTION FORCE: 0.5~2.0kgf.
 - REMOVAL FORCE: 0.8kgf~2.0kgf.
 - DURABILITY: 10000 CYCLES.
 - ELECTRICAL PERFORMANCE,
 - CURRENT RATING:3.0A
VOLTAGE RATING:5.0V
 - INSULATION RESISTANCE: 100MΩ MIN.
 - DIELECTRIC WITHSTAND VOLTAGE,AC 100V FOR 1 MINUTE.
 - LOW CONTACT RESISTANCE: INITIAL 40mΩ AFTER 50mΩ
 - ENVIRONMENTAL PERFORMANCE:
 - OPERATING TEMPERATURE: -25°C~+85°C.
 - IR REFLOW:
 - THE PEAK TEMPERATURE ON THE BOARD SHALL BE MAINTAINED FOR 10 SECONDS AT 260°C.



U5 420- 16P x 12.0L
↓ ↓ ↓ ↓ ↓
名称 流水号 PIN位 E;公头 L;长度



PIN ASSIGNMENTS:

A1	GND	B12	GND
A4	VBUS	B9	VBUS
A5	CC1	B8	SBU2
A6	DP1	B7	DN2
A7	DN1	B6	DP2
A8	SBU1	B5	CC2
A9	VBUS	B4	VBUS
A12	GND	B1	GND
PIN	SIGNAL NAME	PIN	SIGNAL NAME

DESIGN	Li Jinwei	SC ALL	
DRAWING	Wu Qifa	UNIT	mm
CHECK	Zheng Jinxian	SIZE	A4: 210 * 297
APPROVAL	Liu Xiaohong	DATE	2020-06-10

TOLERANCE	
X.X ±0.30	X.°±2°
.XX ±0.20	.X° ±1°
.XXX ±0.10	.XX°±0.5°

DRAWG NO.	U5420-16PE12.0L
TITLE:	公头16P 立式两脚插板SMT 12.0L


东莞市宏煜盛实业有限公司
 Dongguan hongyusheng Industry Co., Ltd
 TEL: 0769-81230179 <https://www.hystypec.com>