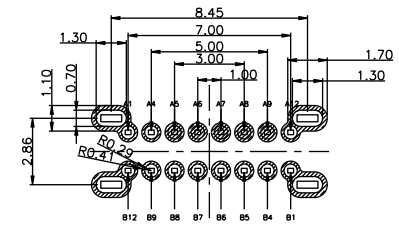
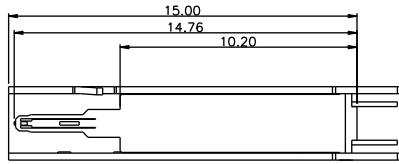
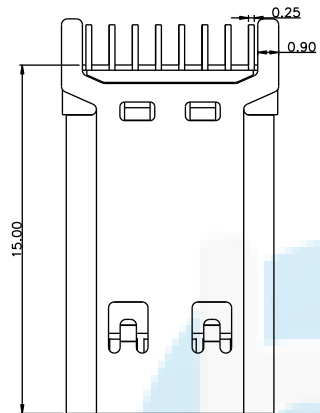
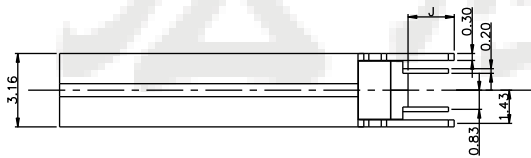
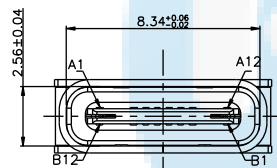


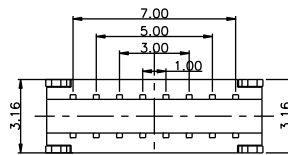
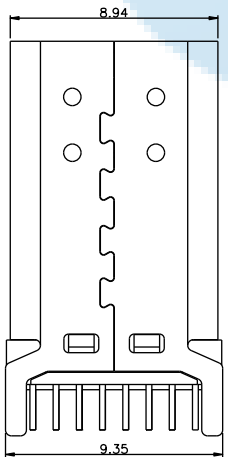
ROHS
Compatible



RECOMMENDED P.C.B. LAYOUT
TOLERANCE UNSPECIFIED ±0.05mm



U5 425- 16P x x XXJ 15.0L
 ↓ ↓ ↓ ↓ ↓ ↓ ↓ ↓
 名称 流水号 PIN位 N;母座 T;带弹 J;脚长 L;长度
 2.0 0.85



A1	GND	B12	GND
A2	/	B11	/
A3	/	B10	/
A4	VBUS	B9	VBUS
A5	CC1	B8	SBU2
A6	DP1	B7	DN2
A7	DN1	B6	DP2
A8	SBU1	B5	CC2
A9	VBUS	B4	VBUS
A10	/	B3	/
A11	/	B2	/
A12	GND	B1	GND

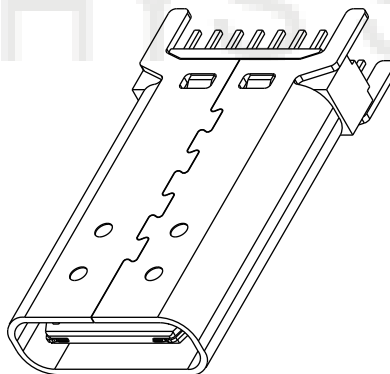
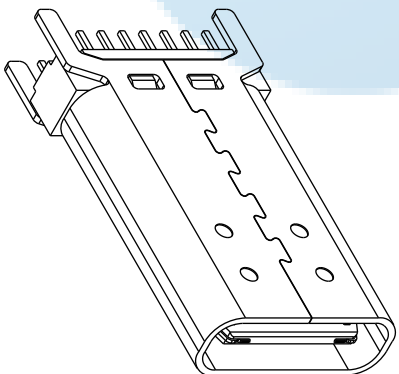
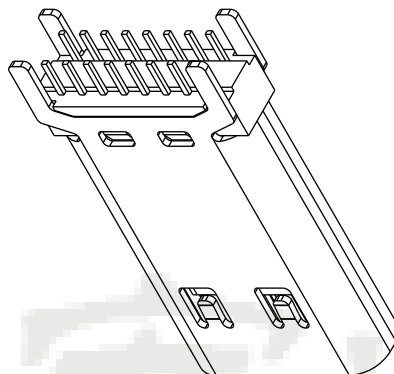
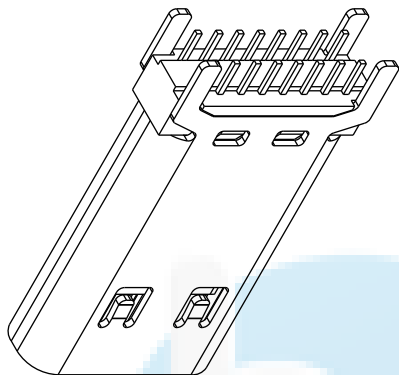
DESIGN	Li Jinwei	SC ALL	
DRAWING	Wu Qifa	UNIT	mm
CHECK	Zheng Jinxian	SIZE	A4: 210 * 297
APPROVAL	Liu Xiaohong	DATE	2020-06-10

TOLERANCE	
X.X ±0.30	X.°±2°
.XX ±0.20	.X°±1°
.XXX ±0.10	.XX°±0.5°

DRAWG NO.	U5425-16PNTXXJ15.0L
TITLE:	16P 立式四脚插板DIP 带弹 15.0L

 **东莞市宏煜盛实业有限公司**
 Dongguan hongyusheng Industry Co., Ltd
 TEL: 0769-81230179 <https://www.hystypec.com>

ROHS
Compatible



NOTE:

备注:

1.MATERIAL SPECIFICATION:

1.材料规格:

1-1.HOUSING:HIGH TEMPERATURE RESISTANT PLASTIC,UL94 V-0.

1-1. 胶壳材料: 高温塑胶, 防火等级UL94 V-0

1-2.TERMINAL: COPPER ALLOY

1-2. 端子材料: 铜合金

1-3.FRONT SHELL: STAINLESS STEEL

1-3. 外壳材料: 不锈钢

1-4.MID PLATE: STAINLESS STEEL

1-4. 中夹片: 不锈钢

2.PLATING SPECIFICATION:

2.电镀规格:

2-1.TERMINAL:

2-1. 端子:

Ni 30u" MIN. UNDER PLATED OVER ALL.

镀镍底 30u" MIN.

Au PLATED Golden Flash OVER Ni

表面刷金 Golden Flash

2-2.FRONT SHELL:

2-2. 外壳:

Ni 30u" MIN. PLATED OVER ALL.

镀镍底 30u" MIN.

3.MECHANICAL PERFORMANCE,

3.机械性能,

3-1.INSERTION FORCE: 0.5~2.0kgf.

3-1. 插入力: 0.5~2.0kgf.

3-2.REMOVAL FORCE: 0.6kgf~2.0kgf.

3-2. 拔出力: 0.6kgf~2.0kgf.

3-3.DURABILITY: 10000 CYCLES.

3-3. 插拔寿命: 10000次.

4.ELECTRICAL PERFORMANCE,

4.电气性能,

4-1. VOLTAGE RATING: 48V DC/AC

4-1. 额定电压: 48V DC/AC

CURRENT RATING: 5A

额定电流: 5.0A

4-2. LLCR: 50mΩ/PIN MAX.

4-2. 接触阻抗: 50mΩ/PIN MAX.

4-3.INSULATION RESISTANCE: 100MΩ MIN

4-3. 绝缘阻抗: 100MΩ MIN

4-4.DIELECTRIC WITHSTAND VOLTAGE,AC 100V FOR 1 MINUTE.

4-4. 耐电压: AC 100V FOR 1 MINUTE.

5. ENVIRONMENTAL PERFORMANCE:

5. 环境特性:

OPERATING TEMPERATURE: -25°C~+85°C.

工作温度: -25°C~+85°C.

DESIGN	Li Jinwei	SC ALL		 TOLERANCE X.X ±0.30 X.°±2° .XX ±0.20 .X°±1° .XXX ±0.10 .XX°±0.5°
DRAWING	Wu Qifa	UNIT	mm	
CHECK	Zheng Jinxian	SIZE	A4: 210 * 297	
APPROVAL	Liu Xiaohong	DATE	2020-06-10	

DRAWG NO.	U5425-16PNTXXJ15.0L
TITLE:	16P 立式四脚插板DIP 带弹 15.0L



东莞市宏煜盛实业有限公司
Dongguan hongyusheng Industry Co., Ltd
TEL: 0769-81230179 <https://www.hystypec.com>