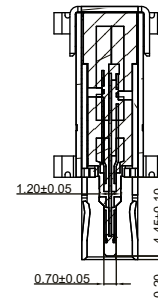
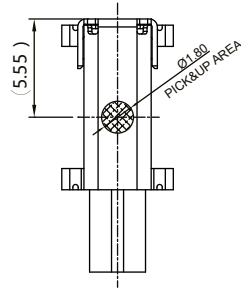


ROHS
Compatible

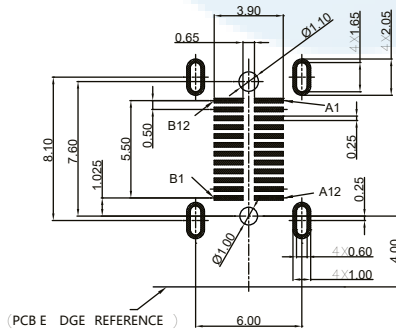
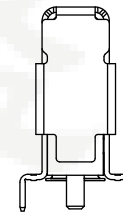
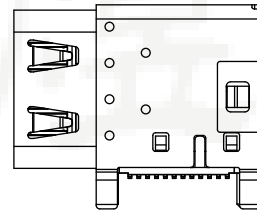
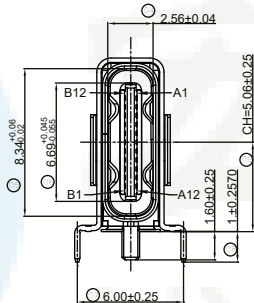
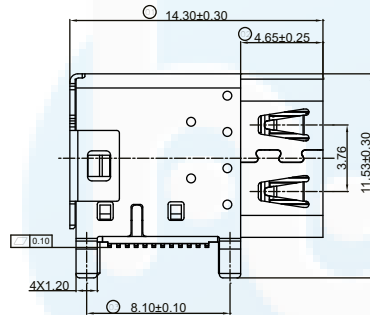
支持USB4高速传输

CONTACT PLATING
OPTION:
GOLD FLASH
3u" GOLD
15u" GOLD
30u" GOLD



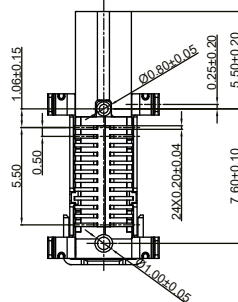
SPECIFICATION

- CURRENT RATING : 5.0A FOR Vbus PIN,
1.25A FOR Vconn PIN,
0.25A FOR OTHER PINS.
- CONTACT RESISTANCE : 40mΩ .
- INSULATION RESISTANCE : 1000MΩ MIN.
- DIELECTRIC WITHSTANDING VOLTAGE : 500 VAC MIN.
- OPERATING TEMPERATURE : -40°C TO +85°C.
- MATING FORCE : 5~20N.
- UNMATING FORCE : 8~20N.
- DURABILITY : 10,000 CYCLES.
- RECOMMENDED PROCESS :
THE PEAK TEMPERATURE ON THE BOARD SHALL
MAINTAIN 260°C.



(PCB E DGE REFERENCE)

RECOMMENDED P.C.B LAYOUT
TOLERANCE ± 0.05mm (TOP VIEW)



PIN ASSIGNMENT

	A1	A2	A3	A4	A5	A6	A7	A8	A9	A10	A11	A12	
	GND	TX1+	-Vbus	CC1	D+	D-	SBU1	Vbus	RX2-	RX2+	GND		
	GND	RX1+	-Vbus	SBU2	D-	D+	CC2	Vbus	TX2-	TX2+	GND		
	B12	B11	B10	B9	B8	B7	B6	B5	B4	B3	B2	B1	
5	TERMINAL	24	COPPER ALLOY	MATING SIDE: Au PLATING; SOLDER TAIL: Gold FLASH, 50u" NICKEL OVERALL.				T=0.12					
4	OUT SHELL	1	STAINLESS STEEL	NICKEL PLATING								T=0.30	
3	MAIN SHELL	1	STAINLESS STEEL	NICKEL PLATING								T=0.30	
2	MID PLATE	1	STAINLESS STEEL	NICKEL PLATING								T=0.15	
1	MAIN HOUSING	1	HIGH TEMPERATURE								BLACK UL94V0		
ITEM	DESCRIPTION	QTY	MATERIAL					FINISH				REMARK	

BILL OF MATERIAL

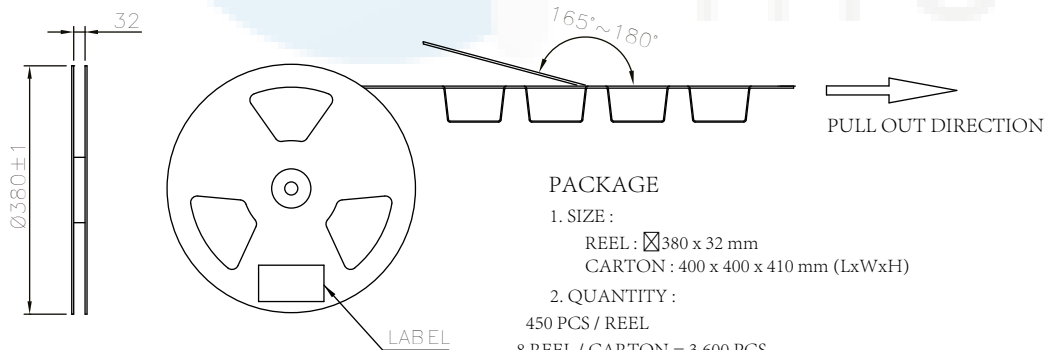
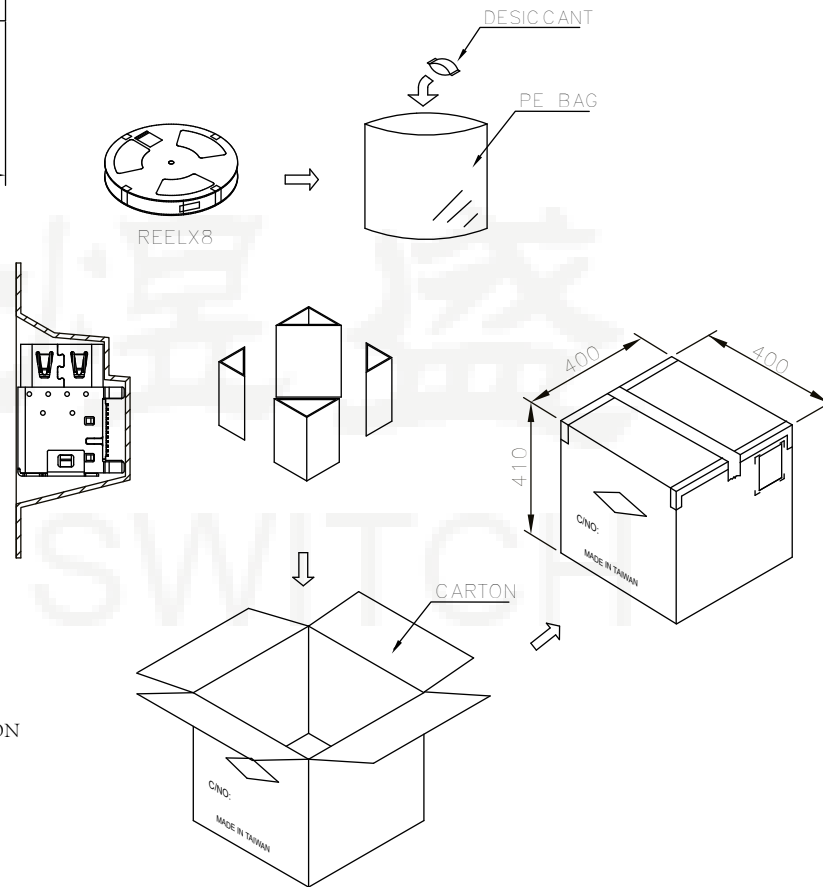
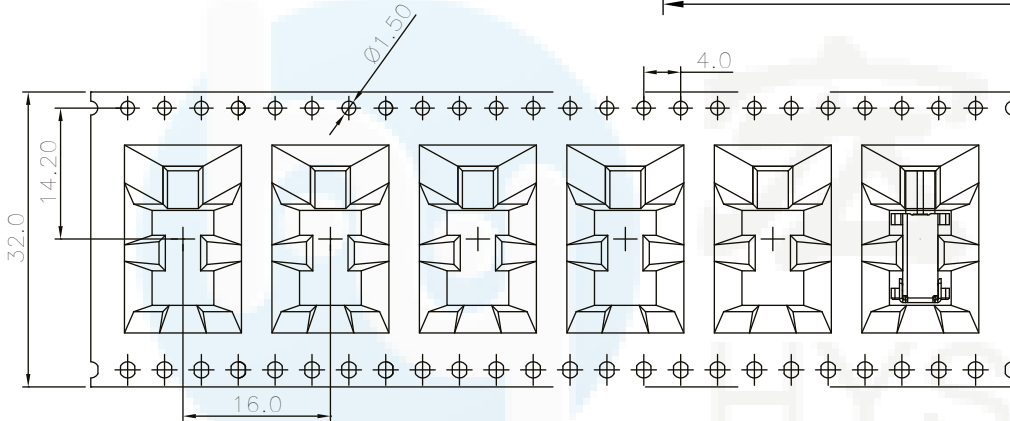
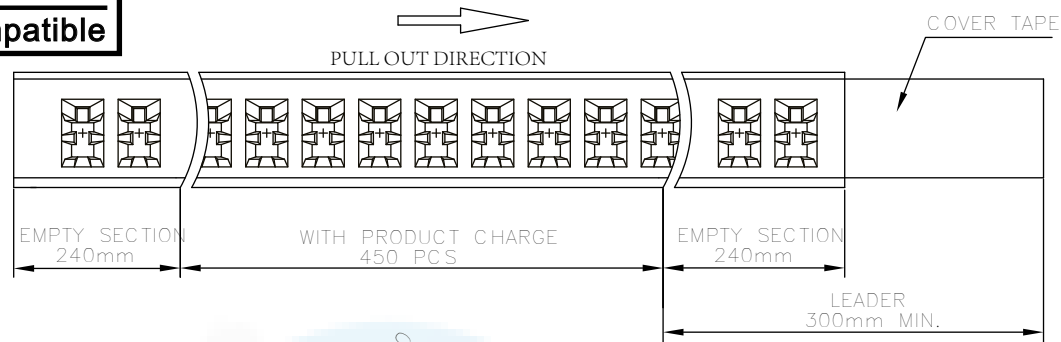
DESIGN	Li Jinwei	SC ALL	
DRAWING	Wu Qifa	UNIT	mm
CHECK	Zheng Jinxian	SIZE	A4: 210 * 297
APPROVAL	Liu Xiaohong	DATE	2020-06-10

TOLERANCE	
X.X ±0.30	X.°±2°
.XX ±0.20	.X° ±1°
.XXX ±0.10	.XX°±0.5°

DRAWG NO.	TYPE-C-YDST24PZ143
TITLE:	24P侧插母座双壳带柱带弹SMT 14.30L

东莞市宏煜盛实业有限公司
Dongguan hongyusheng Industry Co., Ltd
TEL: 0769-81230179 <https://www.hystypec.com>

ROHS
Compatible



PACKAGE

1. SIZE :
REEL : \square 380 x 32 mm
CARTON : 400 x 400 x 410 mm (LxWxH)

2. QUANTITY :
450 PCS / REEL
8 REEL / CARTON = 3,600 PCS

DESIGN	Li Jinwei	SC ALL	
DRAWING	Wu Qifa	UNIT	mm
CHECK	Zheng Jinxian	SIZE	A4: 210 * 297
APPROVAL	Liu Xiaohong	DATE	2020-06-10

ϕ	
TOLERANCE	
X.X ± 0.30	X. $^{\circ} \pm 2^{\circ}$
.XX ± 0.20	.X $^{\circ} \pm 1^{\circ}$
.XXX ± 0.10	.XX $^{\circ} \pm 0.5^{\circ}$

DRAWG NO.	TYPE-C-YDST24PZ143
TITLE:	24P侧插母座双壳带柱带弹SMT 14.30L


东莞市宏煜盛实业有限公司
 Dongguan hongyusheng Industry Co., Ltd
 TEL: 0769-81230179 <https://www.hystypec.com>