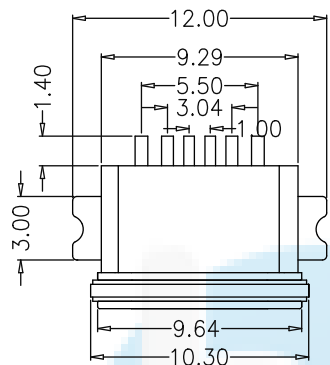
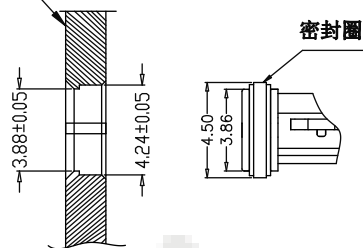


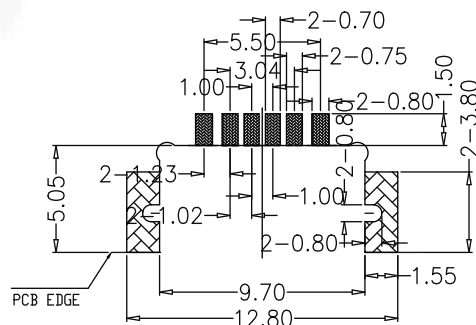
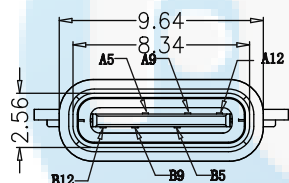
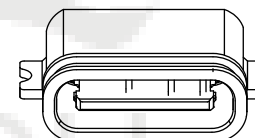
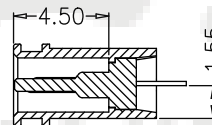
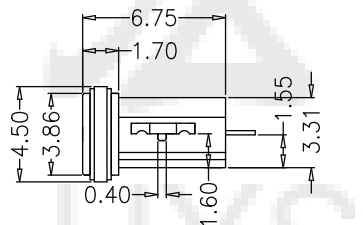
**ROHS**  
Compatible



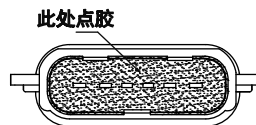
机壳面板



前后组装方式



RECOMMENDED P.C.B. LAYOUT  
TOLERANCE UNSPECIFIED ±0.05mm



Note:

1.Material:

1.1 Housing: LCP

1.2 Contact:C2680,t=0.20mm middleclip SUS t=0.15mm

1.3 Shell: Zinc Alloy.

2.ELECTRICAL:

2-1:CURRENT RATING:

VBUS AND GND CONTACTS RATED AT 1.25A  
PARALLELED FOR A TOTAL OF 3A;

2-2:INITIAL CONTACT RESISTANCE :40 MEGOHMS

2-3:DIELECTRIC WITHSTANDING VOLTAGE:

30V AC MIN;

3:MECHANICAL CHARACTERISTICS:

3-1:MATING FORCE:5~20N

3-2:UNMATING FORCE:8~20N(INITIAL),

6~20N(AFTER 10000 CYCLES)

3-3:FREQUENCY: 200±50 CYCLES /HOUR,10000 CYCLES

3-4:OPERATING TEMPERATURE ;-40°~80°.

4: WATERPROOF: IP-X7.

B12	GND
B9	VBUS
B5	CC2
A5	CC1
A9	VBUS
A12	GND
PIN	SIGNAL NAME

DESIGN	Li Jinwei	SCALL	
DRAWING	Wu Qifa	UNIT	mm
CHECK	Zheng Jinxian	SIZE	A4: 210 * 297
APPROVAL	Liu Xiaohong	DATE	2020-06-10

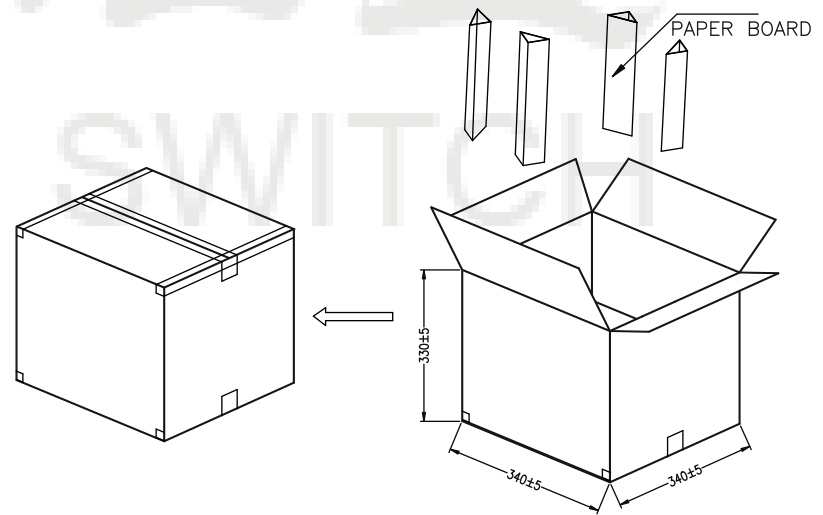
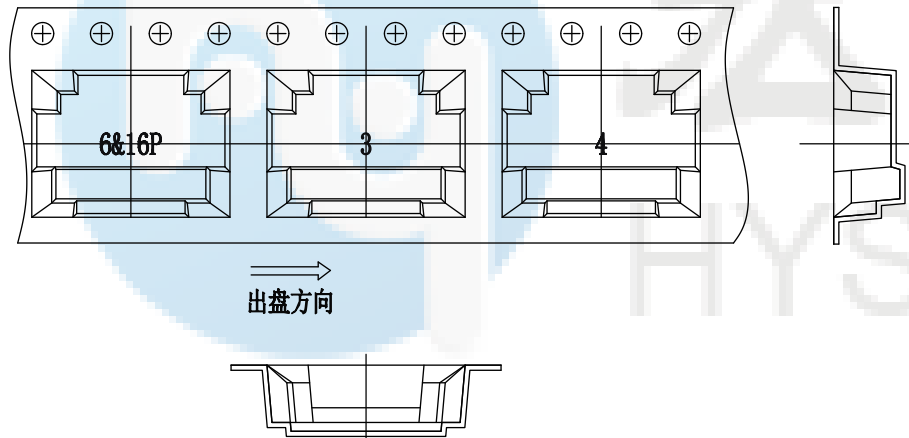
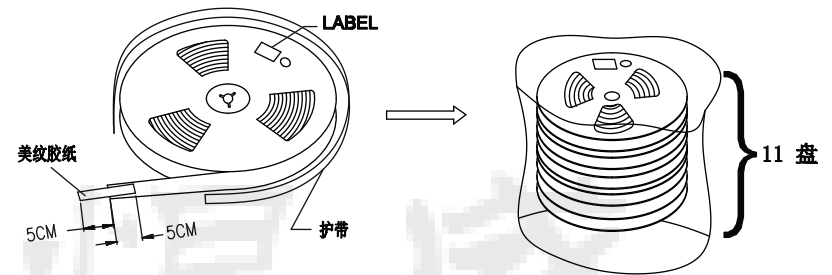
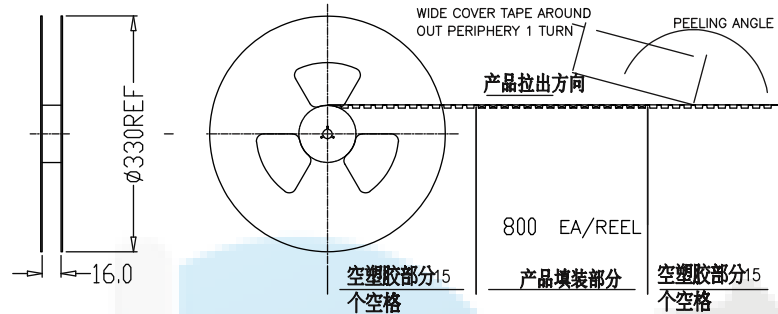
TOLERANCE	
X.X ±0.30	X.°±2°
.XX ±0.20	.X°±1°
.XXX ±0.10	.XX°±0.5°

DRAWG NO.	TYPE-C-CS06PF160
TITLE:	6P沉板1.6两脚贴片SMT 脚距1.0mm 6.75L IPX7



**东莞市宏煜盛实业有限公司**  
Dongguan hongyusheng Industry Co., Ltd  
TEL: 0769-81230179 <https://www.hystypec.com>

**ROHS**  
Compatible



- 说明: 1, 将载有台板的产品, 放入承载带中, 一盒包装800PCS;  
2, 将11承载带放入纸盒中;  
3, 将纸盒封装好, 贴上标签

每卷数量	净重(Kg)	毛重 (Kg)
8800PCS	xxx	xxx

DESIGN	Li Jinwei	SCALL		 <b>TOLERANCE</b> X.X ±0.30 X.°±2° .XX ±0.20 .X° ±1° .XXX ±0.10 .XX°±0.5°
DRAWING	Wu Qifa	UNIT	mm	
CHECK	Zheng Jinxian	SIZE	A4: 210 * 297	
APPROVAL	Liu Xiaohong	DATE	2020-06-10	

DRAWG NO.	TYPE-C-CS06PF160
TITLE:	6P沉板1.6两脚贴片SMT 脚距1.0mm 6.75L IPX7



**东莞市宏煜盛实业有限公司**  
Dongguan hongyusheng Industry Co., Ltd  
TEL: 0769-81230179 <https://www.hystypec.com>