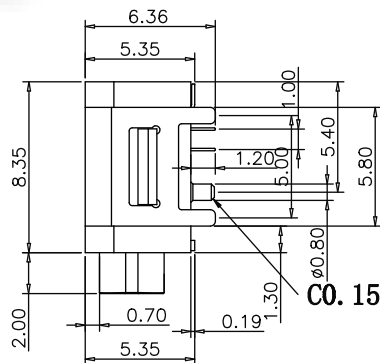
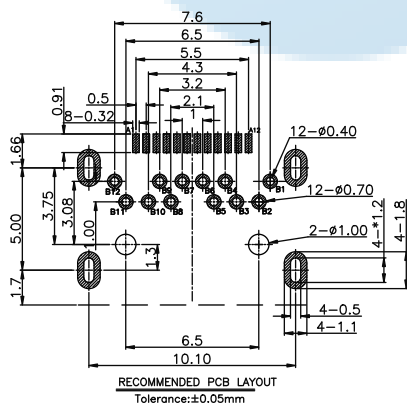
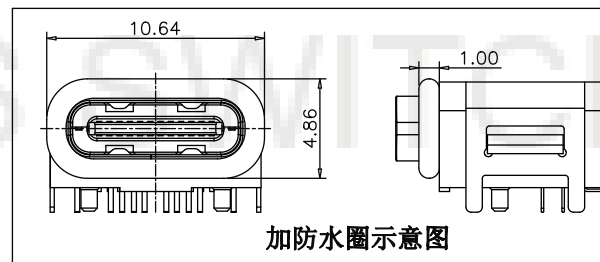
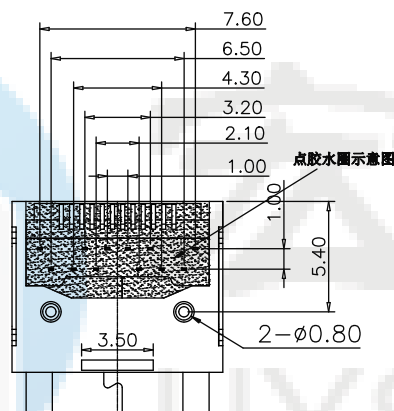
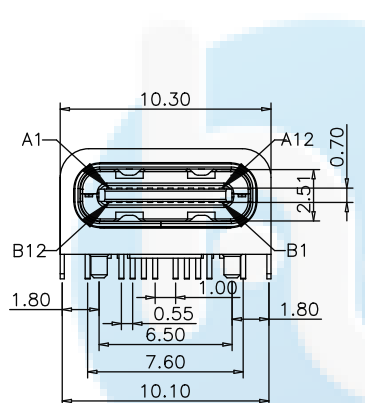
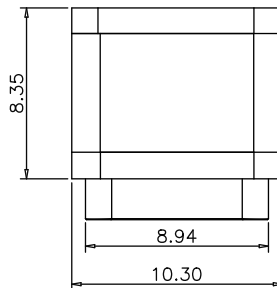
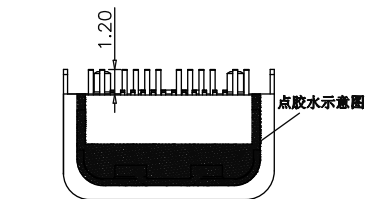


**ROHS**  
Compatible

NOTE:

- MECHANICAL PERFORMANCE,
  - INSERTION FORCE: 0.5~2.0kgf.
  - REMOVAL FORCE: 0.8kgf~2.0kgf.
  - DURABILITY: 10000 CYCLES.
- ELECTRICAL PERFORMANCE,
  - CURRENT RATING:3.0A  
VOLTAGE RATING:5.0V
  - LLCR: VBUS & GND PINS AND OTHER PINS: 40mΩ/PIN MAX.  
SHIELD: 50mΩ/MAX.  
LLCR MAX. CHANGE OF ALL PINS: 10mΩ.
  - INSULATION RESISTANCE: 100MΩ MIN
  - DIELECTRIC WITHSTAND VOLTAGE,AC 100V FOR 1 MINUTE.
- ENVIRONMENTAL PERFORMANCE:  
OPERATING TEMPERATURE: -25°C~+85°C.
- IR REFLOW:  
THE PEAK TEMPERATURE ON THE BOARD SHALL BE MAINTAINED FOR 10 SECONDS AT 260°C.
- WATERPROOF:IPX7.



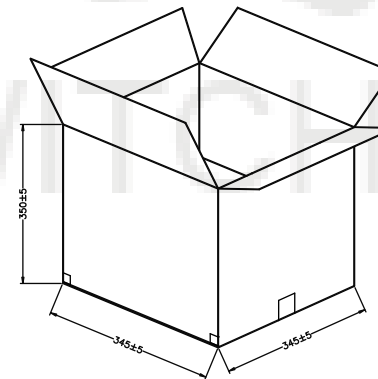
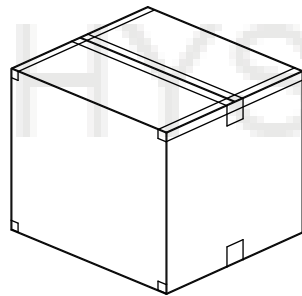
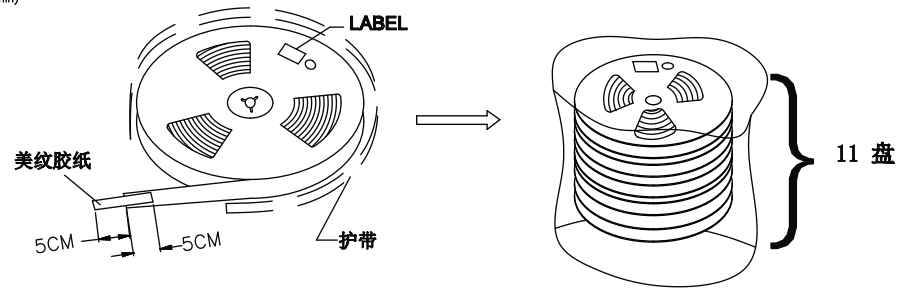
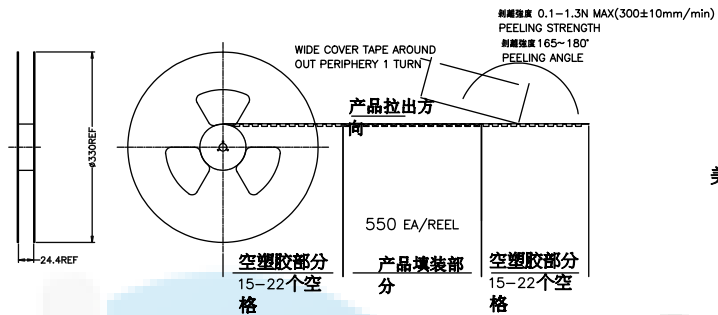
Pin	Signal Name	Mating Sequence	Pin	Signal Name	Mating Sequence
A1	GND	First	B12	GND	First
A2	SSTxp1	Second	B11	SSRXp1	Second
A3	SSTxn1	Second	B10	SSRXn1	Second
A4	Vns	First	B9	Vns	First
A5	CC1	Second	B8	SBU2	Second
A6	Dp1	Second	B7	Dn2	Second
A7	Dn1	Second	B6	Dp2	Second
A8	SBU1	Second	B5	CC2	Second
A9	Vns	First	B4	Vns	First
A10	SSRXn2	Second	B3	SSTxn2	Second
A11	SSRXp2	Second	B2	SSTxp2	Second
A12	GND	First	B1	GND	First
SHELL	GND		SHELL	GND	

NO	DESCRIPTION	QTY	MATERIAL	REMARKS
1	Rear high	1PCS	PA10T	BLACK
2	SHELL HOUSING	1PCS	PA10T	BLACK
3	CONTACT	1SET	C7025	接触, SMT 1u"
4	Bracket	1PCS	STAINLESS STEEL	镀镍 30u"
5	SHELL	1PCS	STAINLESS STEEL	镀镍 30u"
6	Middle clip	1PCS	STAINLESS STEEL	Cleaning
7	Run-RING	1PCS	Silica gel	BLACK

DESIGN	Li Jinwei	SCALL		 TOLERANCE X.X ±0.30 X.°±2° .XX ±0.20 .X°±1° .XXX ±0.10 .XX°±0.5°	DRAWG NO.	TYPE-C-DDS24PZF1035
DRAWING	Wu Qifa	UNIT	mm		TITLE:	防水24P四脚插板DIP+SMT 带柱 10.35L IPX7
CHECK	Zheng Jinxian	SIZE	A4: 210 * 297			
APPROVAL	Liu Xiaohong	DATE	2020-06-10			

**东莞市宏煜盛实业有限公司**  
 Dongguan hongyusheng Industry Co., Ltd  
 TEL: 0769-81230179 <https://www.hystypec.com>

**ROHS**  
Compatible



说明:

- 1.将检查合格的产品,放入承载带中,一盘包装550PCS;
- 2.将11盘承载带放入纸箱中;
- 3.将纸箱封装好,贴上标签.

每箱数量	净重(Kg)	毛重(Kg)
6050PCS	xxx	xxx

DESIGN	Li Jinwei	SCALL		 TOLERANCE X.X ±0.30 X.°±2° .XX ±0.20 .X° ±1° .XXX ±0.10 .XX°±0.5°	DRAWG NO.	TYPE-C-DDS24PZF1035 TITLE: 防水24P四脚插板DIP+SMT 带柱 10.35L IPX7	 东莞市宏煜盛实业有限公司 Dongguan hongyusheng Industry Co., Ltd TEL: 0769-81230179 <a href="https://www.hystypec.com">https://www.hystypec.com</a>
DRAWING	Wu Qifa	UNIT	mm				
CHECK	Zheng Jinxian	SIZE	A4: 210 * 297				
APPROVAL	Liu Xiaohong	DATE	2020-06-10				