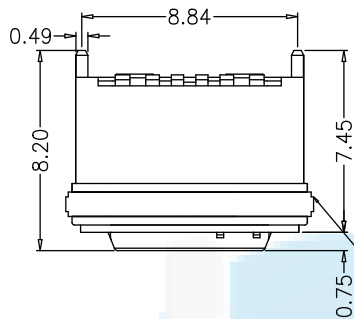
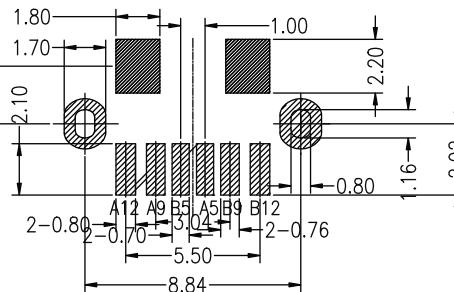
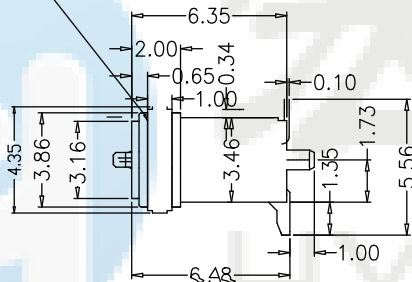
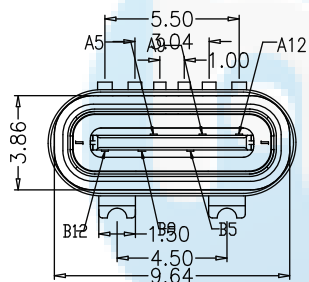


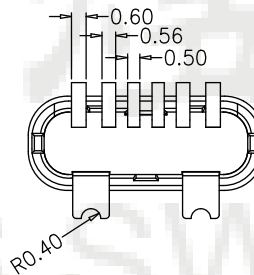
**ROHS**  
Compatible



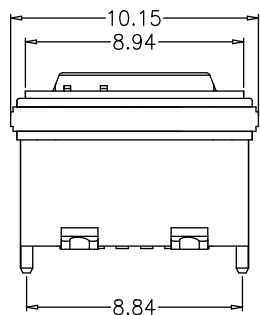
如防水圈示意图



RECOMMENDED P.C.B. LAYOUT  
TOLERANCE UNSPECIFIED  $\pm 0.05\text{mm}$

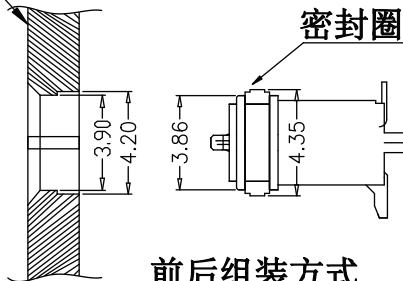


- Note:
- Material:
    - Housing: LCP
    - Contact: C5191,  $t=0.2\text{mm}$  middleclip SUS  $t=0.15\text{mm}$
    - Shell: Zinc Alloy.
  - ELECTRICAL:
    - CURRENT RATING:
      - VBUS AND GND CONTACTS RATED AT 1.25A PARALLELED FOR A TOTAL OF 3A;
    - INITIAL CONTACT RESISTANCE :40 MEGOHMS
    - DIELECTRIC WITHSTANDING VOLTAGE: 30V AC MIN;
  - MECHANICAL CHARACTERISTICS:
    - MATING FORCE: 5~20N
    - UNMATING FORCE: 8~20N(INITIAL), 6~20N(AFTER 10000 CYCLES)
    - FREQUENCY: 200 $\pm$ 50 CYCLES /HOUR, 10000 CYCLES
    - OPERATING TEMPERATURE : -40 $\sim$ 80 $^{\circ}$ .
  - WATERPROOF: IP-X7.



机壳面板

密封圈



前后组装方式

B12	GND
B9	VBUS
B5	CC2
A5	CC1
A9	VBUS
A12	GND
PIN	SIGNAL NAME

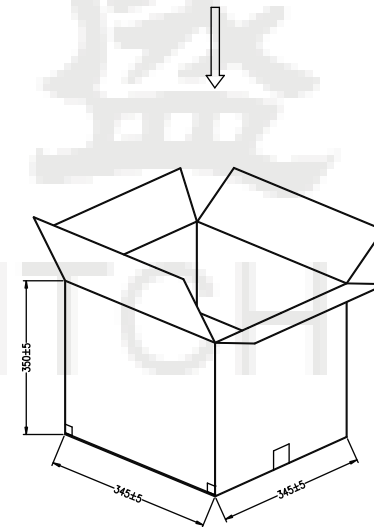
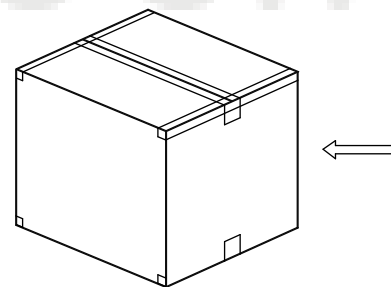
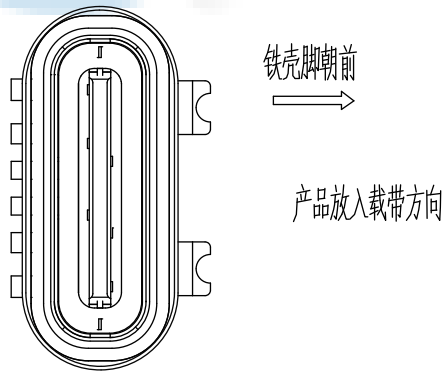
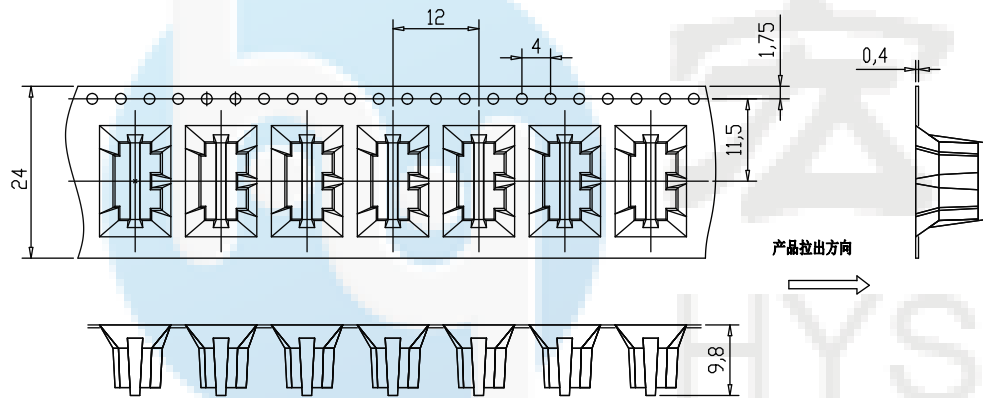
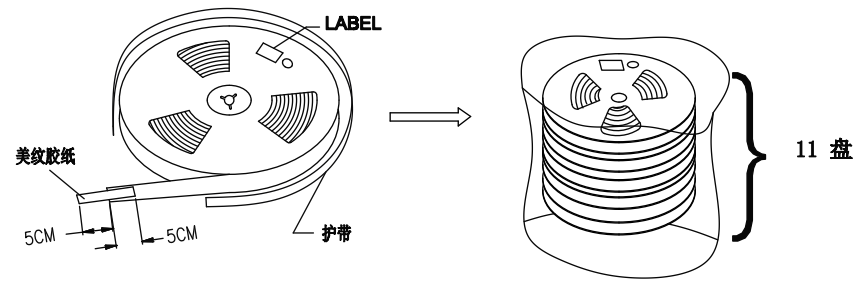
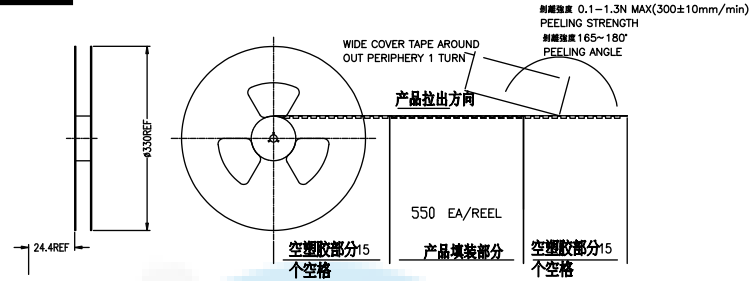
DESIGN	Li Jinwei	SCALL		
DRAWING	Wu Qifa	UNIT	mm	
CHECK	Zheng Jinxian	SIZE	A4: 210 * 297	
APPROVAL	Liu Xiaohong	DATE	2020-06-10	

DRAWG NO. TYPE-C-LDS06PF820  
TITLE: TYPE-C母座6PIN立贴压铸防水IP-X7 8.2H



东莞市宏煜盛实业有限公司  
Dongguan hongyusheng Industry Co., Ltd  
TEL: 0769-81230179 <https://www.hystypec.com>

**ROHS**  
Compatible



- 说明:
- 1, 将检查合格的产品, 放入承载带中, 一盘包装550PCS;
  - 2, 将11盘承载带放入纸箱中;
  - 3, 将纸箱封装好, 贴上标签.

每箱数量	净重 (Kg)	毛重 (Kg)
6050PCS	xxx	xxx

DESIGN	Li Jinwei	SCALL	
DRAWING	Wu Qifa	UNIT	mm
CHECK	Zheng Jinxian	SIZE	A4: 210 * 297
APPROVAL	Liu Xiaohong	DATE	2020-06-10

DRAWG NO.	TYPE-C-LDS06PF820
TITLE:	TYPE-C母座6PIN立贴压铸防水IP-X7 8.2H



**东莞市宏煜盛实业有限公司**  
 Dongguan hongyusheng Industry Co., Ltd  
 TEL: 0769-81230179 <https://www.hystypec.com>