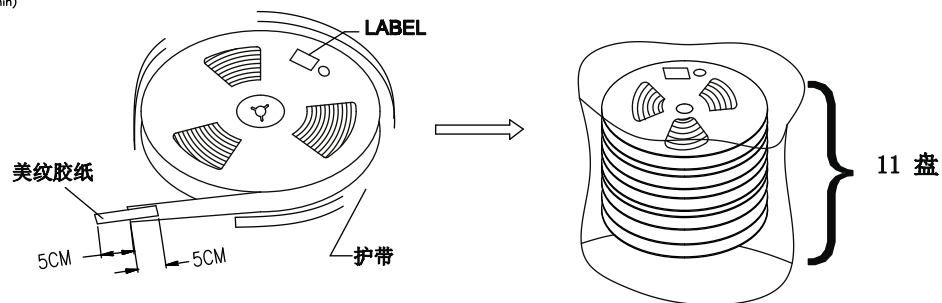
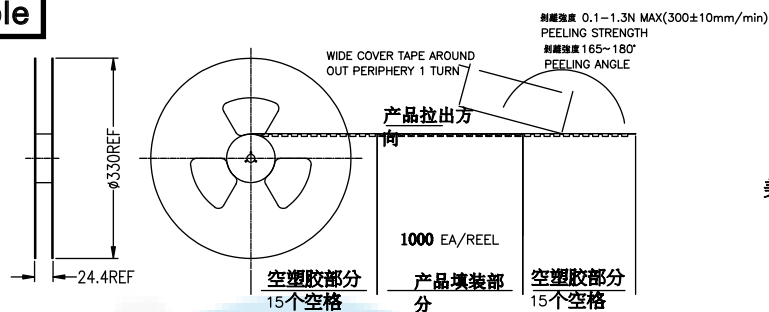
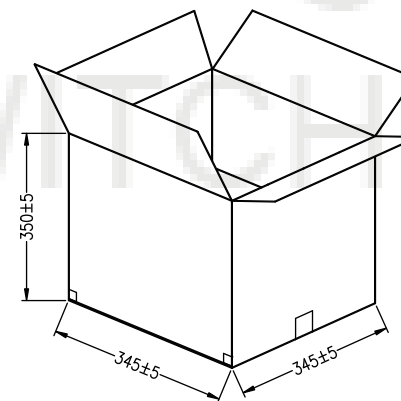
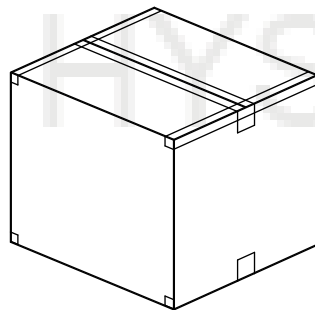


ROHS
Compatible



载带规格 W24*H0.35*P16



说明:

- 1, 将检查合格的产品, 放入承载带中, 一盘包装1000PCS;
- 2, 将11盘承载带放入纸箱中;
- 3, 将纸箱封装好, 贴上标签.

每箱数量	净重 (Kg)	毛重 (Kg)
11000PCS	XXX	XXX

DESIGN	Li Jinwei	SCALL	
DRAWING	Wu Qifa	UNIT	mm
CHECK	Zheng Jinxian	SIZE	A4: 210 * 297
APPROVAL	Liu Xiaohong	DATE	2020-06-10

⌀	
TOLERANCE	
X.X ±0.30	X.°±2°
.XX ±0.20	.X°±1°
.XXX ±0.10	.XX°±0.5°

DRAWG NO.	TYPE-C-SS16PZ735
TITLE:	16P板上型四脚全贴带柱SMT 7.35L

 **东莞市宏煜盛实业有限公司**
Dongguan hongyusheng Industry Co., Ltd
TEL: 0769-81230179 <https://www.hystypec.com>