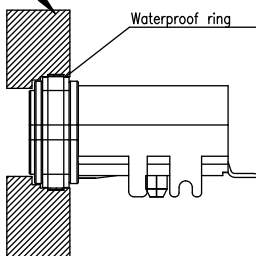


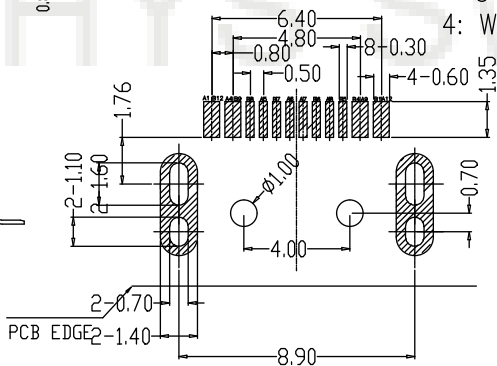
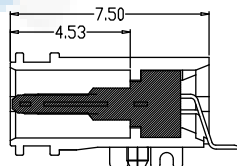
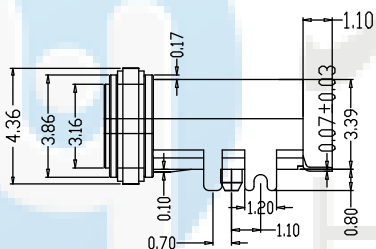
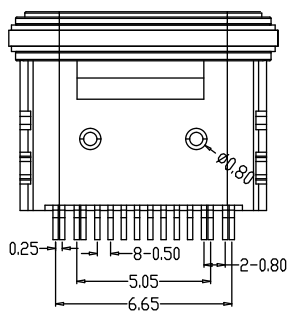
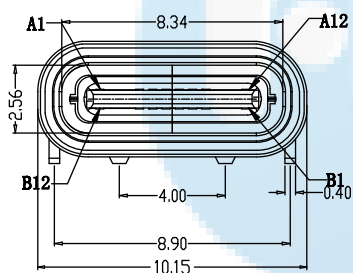
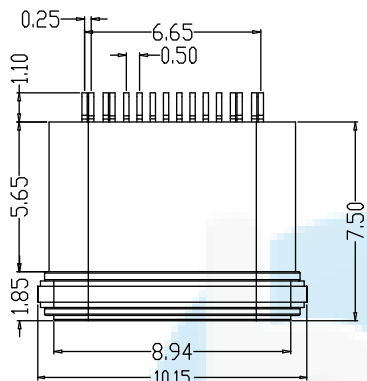
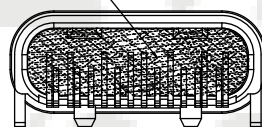
**ROHS**  
Compatible

机壳面板



前后组装方式

此处点胶



RECOMMENDED P.C.B. LAYOUT  
TOLERANCE UNSPECIFIED  $\pm 0.05\text{mm}$

Note:

1.Material:

1.1 Housing: PA9T

1.2 Contact:C7025,t=0.12mm1u" middleclip SUS t=0.15mm  
焊接区g/f middleclip SUS t=0.15mm

1.3 Shell: Zinc Alloy 表面镀镍30-50U" MIN

2.ELECTRICAL:

2-1:CURRENT RATING:

VBUS AND GND CONTACTS RATED AT 1.25A  
PARALLELED FOR A TOTAL OF 3A;

2-2:INITIAL CONTACT RESISTANCE :40 MEGOHMS

2-3:DIELECTRIC WITHSTANDING VOLTAGE:

30V AC MIN;

3:MECHANICAL CHARACTERISTICS:

3-1:MATING FORCE:5~20N

3-2:UNMATING FORCE:8~20N(INITIAL),

6~20N(AFTER 10000 CYCLES)

3-3:FREQUENCY: 200 $\pm$ 50 CYCLES /HOUR,10000 CYCLES

3-4:OPERATING TEMPERATURE ;-40 $^{\circ}$ ~80 $^{\circ}$ .

4: WATERPROOF: IP-X7.

USB TYPE-C PIN ASSIGNMENTS

A1	GND	B12	GND
A4	VBUS	B9	VBUS
A5	CC1	B8	SBU2
A6	DP1	B7	DN2
A7	DN1	B6	DP2
A8	SBU1	B5	CC2
A9	VBUS	B4	VBUS
A12	GND	B1	GND
PIN	SIGNAL NAME	PIN	SIGNAL NAME

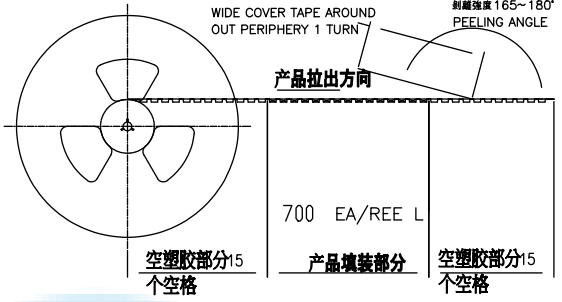
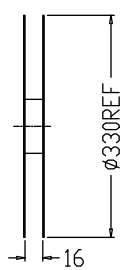
DESIGN	Li Jinwei	SCALL		 TOLERANCE X.X $\pm 0.30$ X. $^{\circ}$ $\pm 2^{\circ}$ .XX $\pm 0.20$ .X $^{\circ}$ $\pm 1^{\circ}$ .XXX $\pm 0.10$ .XX $^{\circ}$ $\pm 0.5^{\circ}$	DRAWG NO.	TYPE-C-DS16PZF750
DRAWING	Wu Qifa	UNIT	mm		TITLE:	防水16P板上型四脚插板贴片压铸 7.5L IPX7
CHECK	Zheng Jinxian	SIZE	A4: 210 * 297			
APPROVAL	Liu Xiaohong	DATE	2020-06-10			



**东莞市宏煜盛实业有限公司**  
Dongguan hongyusheng Industry Co., Ltd  
TEL: 0769-81230179 <https://www.hystypec.com>

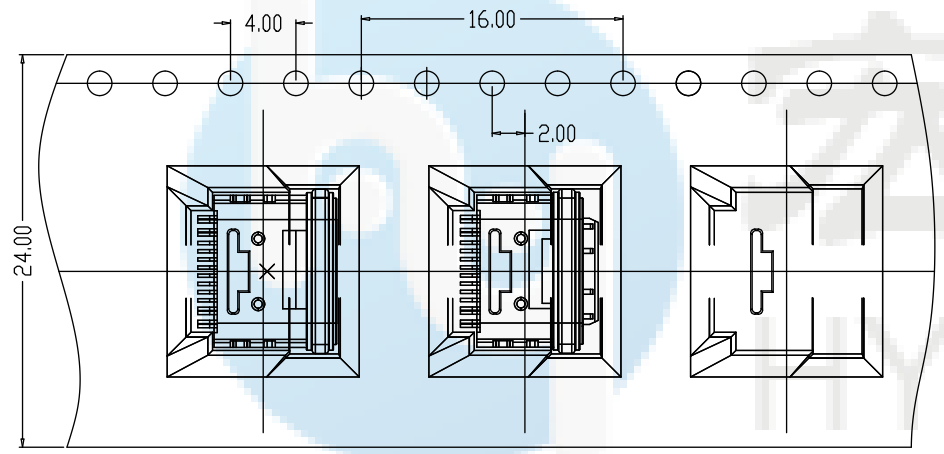
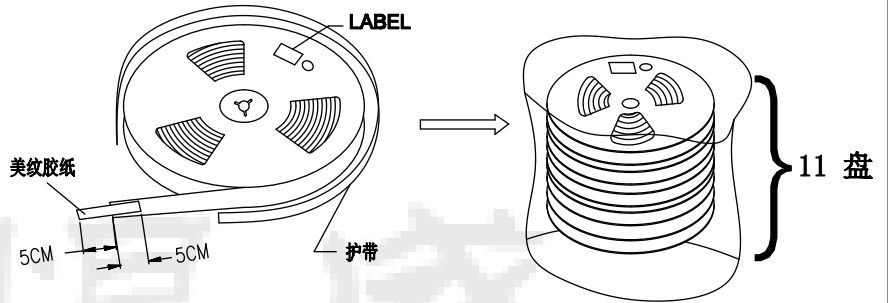
**ROHS**  
Compatible

F E D C B A

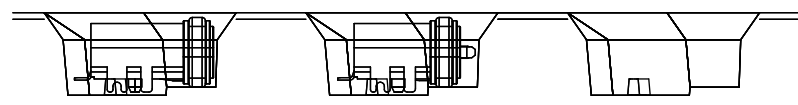


剥离强度 0.1-1.3N MAX(300±10mm/min)  
PEELING STRENGTH  
剥离角度 165~180°  
PEELING ANGLE

WIDE COVER TAPE AROUND  
OUT PERIPHERY 1 TURN

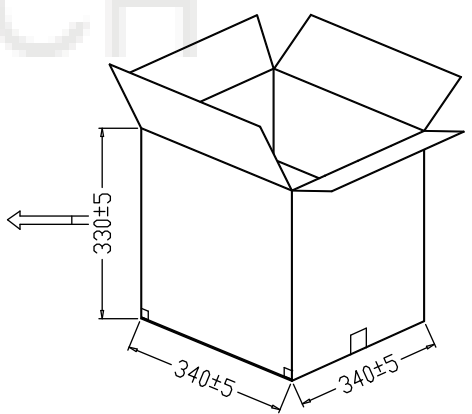
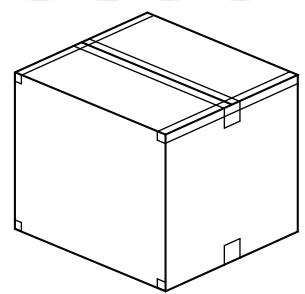


出盘方向



- 说明: 1, 将检查合格的产品, 放入承载带中, 一盘包装700PCS;  
2, 将11承载带放入纸箱中;  
3, 将纸箱封装好, 贴上标签

每箱数量	净重(Kg)	毛重 (Kg)
7700PCS	xxx	xxx



DESIGN	Li Jinwei	SCALL	
DRAWING	Wu Qifa	UNIT	mm
CHECK	Zheng Jinxian	SIZE	A4: 210 * 297
APPROVAL	Liu Xiaohong	DATE	2020-06-10

DRAWG NO.	TYPE-C-DS16PZF750
TITLE:	防水16P板上型四脚插板贴片压铸 7.5L IPX7

**东莞市宏煜盛实业有限公司**  
Dongguan hongyusheng Industry Co., Ltd  
TEL: 0769-81230179 <https://www.hystypec.com>

F E D C B A