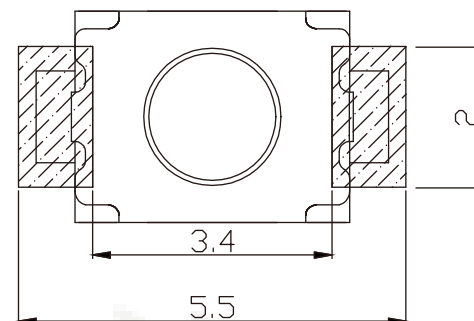
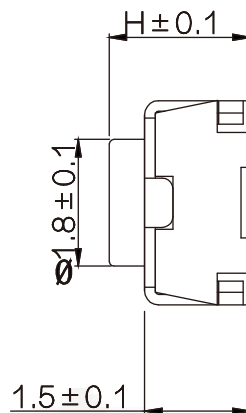
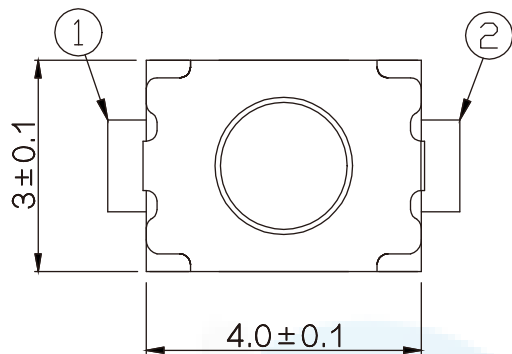
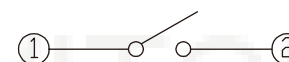
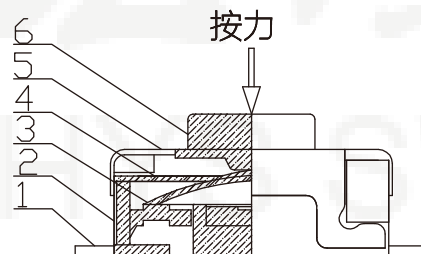
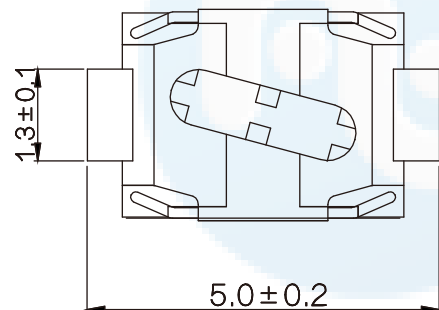


ROHS
Compatible



PCB板焊盘尺寸



电路图

筛选	高度	PCS/盘
	H=1.8mm	4000
	H=2.0mm	3000
	H=2.5mm	3000
	H=3.0mm	3000

NO.	NAME	MATERIAL	FINISHING
1	TERMINAL	phosphorous bronze	Silver plating
2	CASE	LCP	Black
3	CONTACT	SUS301	Silver plating
4	Waterproof membrane	PI	Yellow
5	COVER	SUS304	White
6	STEM	LCP	Black

SPECIFICATIONS	
Operating temperature ranges	-30° to +85°
Rating	DC 12V 50mA Max.
Contact Resistance	100mΩ Max
Dielectric strength	250V AC for 1min.
Travel	0.15±0.1mm
Operating Force	260±40gf
Operating Life (cycles)	300,000

DESIGN	Li Jinwei	SCALL		 TOLERANCE .X: ±0.20 X: ±8° .XX: ±0.10 .X: ±5° .XXX: ±0.05 .XX: ±2°
DRAWING	Wu Qifa	UNIT	mm	
CHECK	Zheng Jinxian	SIZE	A4: 210 * 297	
APPROVAL	Liu Xiaohong	DATE	2020-06-10	

DRAWG NO.	HYS-128N
TITLE:	轻触开关两脚贴片小龟 3.0*4.0*H



东莞市宏煜盛实业有限公司
Dongguan hongyusheng Industry Co., Ltd
TEL: 0769-81230179 <https://www.hystypec.com>