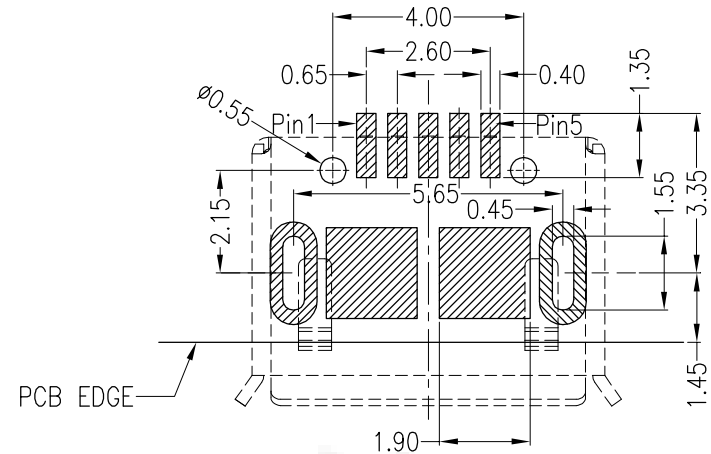
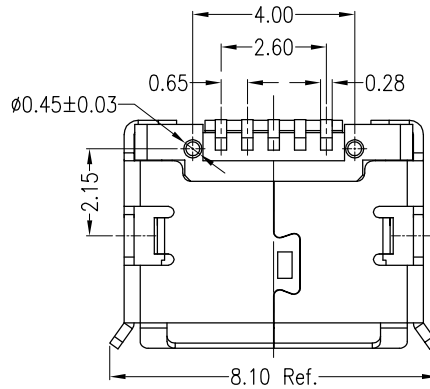
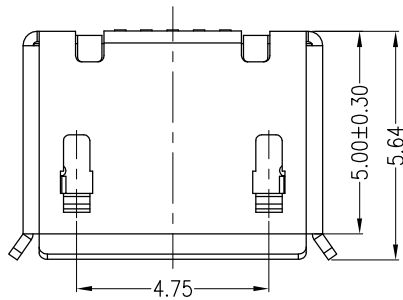
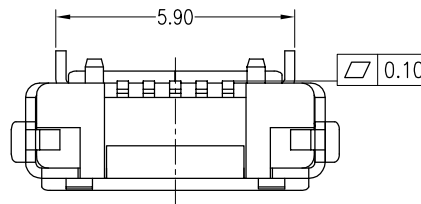
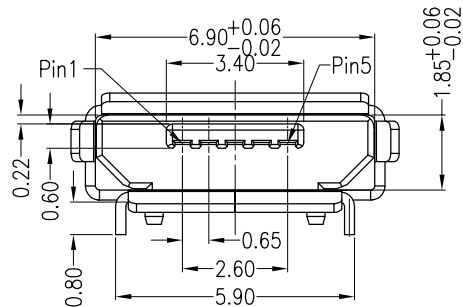
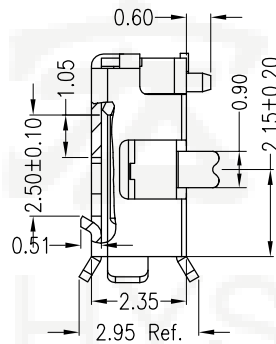
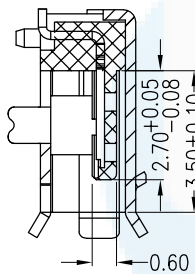


**ROHS**  
Compatible



RECOMMENDED PCB LAYOUT  
PCB图仅供参考



Note:

1. Material:

- 1.1 Housing: High temperature thermoplastic with g.f,UL94v-0
- 1.2 Contact: copper alloy,t=0.20mm
- 1.3 Shell: copper alloy,t=0.25mm

2. Specification:

- 2.1 Current rating:1,5PIN 1.8A Max/2,3,4PIN 1A Max.
- 2.2 Dielectric withstanding voltage: 100 V(ac) for 1 min.
- 2.3 Contact resistance: 30 mΩ Max.
- 2.4 Insulation resistance: 100 MΩ Min.
- 2.5 Total mating force: 3.57 Kgf Max.
- 2.6 Total unmating force: 1.0 Kgf Min.
- 2.7 Temperature range: -30°C~80°C

|          |               |       |               |
|----------|---------------|-------|---------------|
| DESIGN   | Li Jinwei     | SCALL |               |
| DRAWING  | Wu Qifa       | UNIT  | mm            |
| CHECK    | Zheng Jinxian | SIZE  | A4: 210 * 297 |
| APPROVAL | Liu Xiaohong  | DATE  | 2020-06-10    |

|        |      |      |      |
|--------|------|------|------|
| $\phi$ | 0.15 | .xxx | 0.05 |
| .xx    | 0.10 | Ang. | 1°   |

|           |              |
|-----------|--------------|
| DRAWG NO. | USB-M-DS26QZ |
| TITLE:    | 有导位有柱插板5.9   |



**东莞市宏煜盛实业有限公司**  
Dongguan hongyusheng Industry Co., Ltd  
TEL: 0769-81230179 <https://www.hystypec.com>